

SG Polycarbonate Vehicle Traffic Signal



EAGLE[®]
Traffic

Description

The standard signal is composed of three polycarbonate LED-ready body sections containing the door and visor. The basic construction design provides minimum weight but maximum rigidity and strength. The housing, door and visor are injection molded of ultraviolet stabilized, pre-colored opaque polycarbonate. It meets or exceeds ITE specifications.

Housing

One piece unit with serrations in 5° increments at each end. Each housing has provisions for mounting two terminal blocks and attaching backplates. Housings may be fastened together to make multi-section signals. The 8" and 12" housings can be intermixed to form combination signals. SG polycarbonate wall thickness = .125"

Door

One piece polycarbonate unit equipped with stainless steel hinge pins. Stainless steel captive eye bolts and wingnuts are used to hold the door against the housing.

Visor

The removable twist-on visor is secured to the door with stainless steel hardware. Cap, tunnel, and full circle visors are available.

Positive Positioning

Positive positioning and locking is achieved through the use of serrated brackets, mast arm, or span wire fittings.

Terminal Block

All terminal blocks are composed of a sturdy polycarbonate weather resistant casing and stainless steel hardware. Terminal block is standardly installed in the yellow section of signal (second from top).

Hardware

Stainless steel material inside and outside.



Eagle Traffic Control Systems continues our 80+ year history of providing excellence in the ever evolving traffic industry. All of Eagle's products are developed with the highest standards of engineering and manufacturing. Eagle maintains a superior level of integrity in interactions with all of our business partners and customers. We also take tremendous pride in being model corporate citizens.

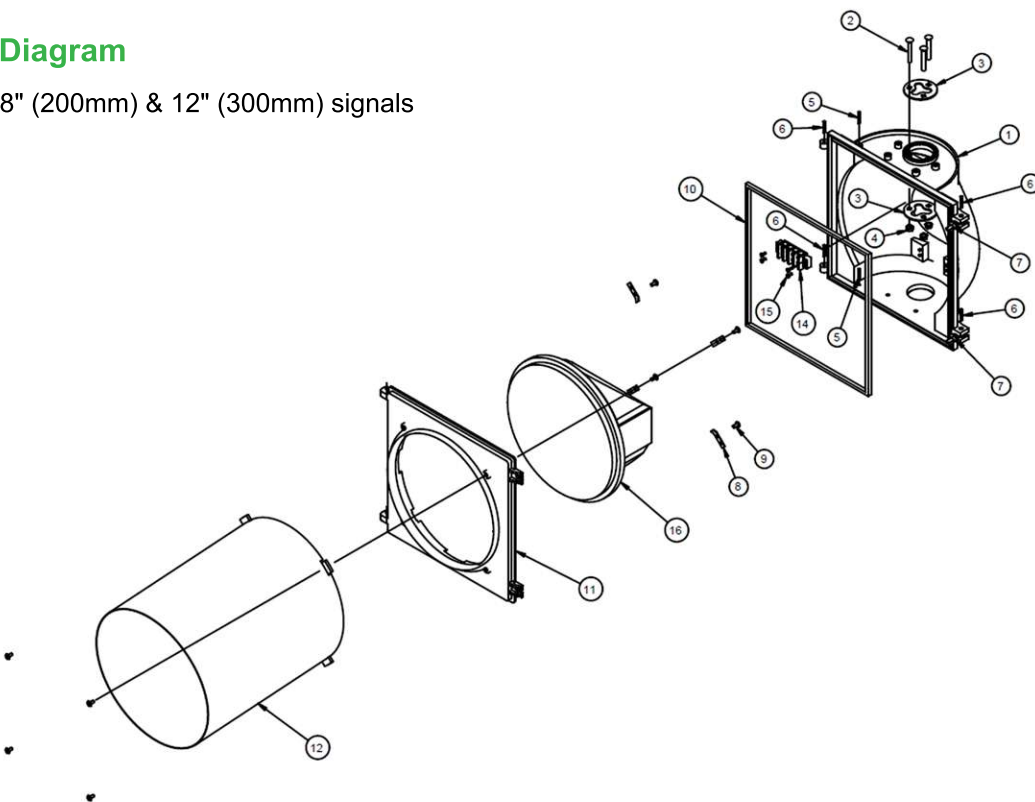
SG Polycarbonate Vehicle Traffic Signal



EAGLE[®]
Traffic

Diagram

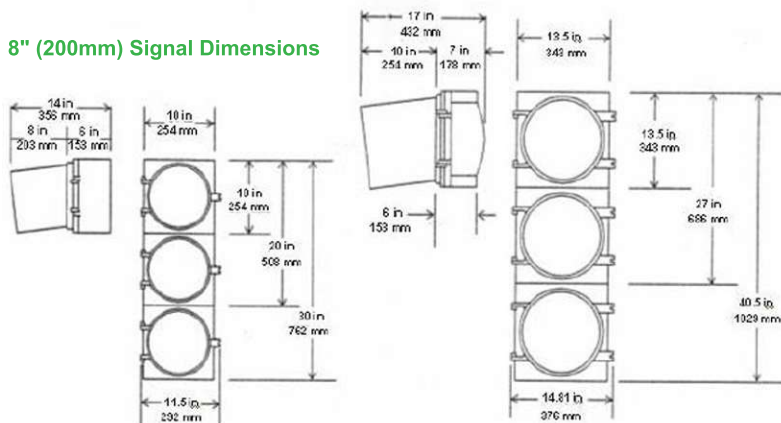
8" (200mm) & 12" (300mm) signals



Piece	8" (200 mm)	12" (300 mm)
Housing	1.8 lbs. (0.81 kg)	2.6 lbs. (1.18 kg)
Door	0.65 lbs. (0.29 kg)	1.1 lbs (0.50 kg)
Visor	0.4 lbs. (0.18 kg)	1.25 lbs. (0.57 kg)

12" (300mm) Signal Dimensions

8" (200mm) Signal Dimensions



SG Polycarbonate Vehicle Traffic Signal



EAGLE[®]

Traffic

Replacement Parts

8" (200mm) & 12" (300mm) signals

Ref. No.	Description	Part Number	
		8" (200mm)	12" (300mm)
1	Signal Housing Green	A70022701	A70022901
	Signal Housing Yellow	A70022702	A70022902
	Signal Housing Black	A70022703	A70022903
2	Carriage Bolt (1/4 - 20 x 1 3/4")	A701101SS	A701101SS
3	Clamping Washer	M50417	M50417
4	Hex Nut (1/4 - 20)	A143416SS	A143416SS
5	Type 2 Grove Pin, SS (8" - 3/16 x 1")	A8 44030	N/A
	Type 2 Grove Pin, SS (12" - 3/16 x 1 3/16")	N/A	A702181
6	Spiral Pin, SS (3/16" x 1")	A144006	A144006
7	Wingnut Eyebolt Assembly	A844263	A844263
8	Lens clip, generic	A84436155	A84436155
9	Lens clip screw, SS (10 - x 3/8")	0135021	0135021
10	Door gasket	A701630	A701630
11	Signal door Green	A70022801	A70023001
	Signal door Yellow	A70022802	A70023002
	Signal door Black	A70022803	A70023003
12	Visor - tunnel Green	A70011901	A70012001
	Visor - tunnel Yellow	A70011902	A70012002
	Visor - tunnel Black	A70011903	A70012003
	Visor - cap Green	A70046801	A70046901
	Visor - cap Yellow	A70046802	A70046902
	Visor - cap Black	A70046803	A70046903
	Visor - full circle Green	A85228301	A85231901
	Visor - full circle Yellow	A85228302	A85231902
	Visor - full circle Black	A85228303	A85231903
13	Visor Screw (10 - 32 x 3/8")	0135021	0135021
14	Terminal block, 4 pos. spade type	A182944TX	A182944TX
	Terminal block, 6 pos. spade type	PCT100TX	PCT100TX
15	Machine screw, SS (6 - 32 x 3/4")	A16257312	A16257312

mobotrex[®]
MOBILITY & TRAFFIC EXPERTS