
SA Polycarbonate Vehicle Traffic Signal



Description

The standard signal is composed of three polycarbonate LED-ready body sections containing the door and visor. The basic construction design provides minimum weight but maximum rigidity and strength. The housing, door and visor are injection molded of ultraviolet stabilized, pre-colored opaque polycarbonate. It meets or exceeds ITE specifications.

Housing

One piece unit with serrations in 5° increments at each end. Each housing has provisions for mounting two terminal blocks and attaching backplates. Housings may be fastened together to make multi-section signals. The 8" and 12" housings can be intermixed to form combination signals. SA polycarbonate wall thickness = .093"

Door

One piece polycarbonate unit equipped with stainless steel hinge pins. Stainless steel captive eye bolts and wingnuts are used to hold the door against the housing.

Visor

The removable twist-on visor is secured to the door with stainless steel hardware. Cap, tunnel, and full circle visors are available.

Positive Positioning

Positive positioning and locking is achieved through the use of serrated brackets, mast arm, or span wire fittings.

Terminal Block

All terminal blocks are composed of a sturdy polycarbonate weather resistant casing and stainless steel hardware. Terminal block is standardly installed in the yellow section of signal (second from top).

Hardware

Stainless steel material inside and outside.



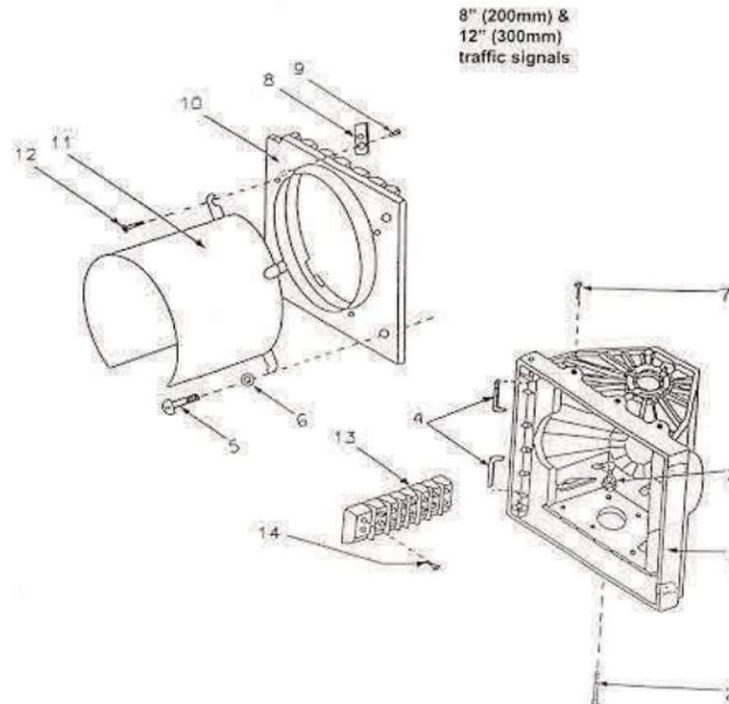
Eagle Traffic Control Systems continues our 80+ year history of providing excellence in the ever evolving traffic industry. All of Eagle's products are developed with the highest standards of engineering and manufacturing. Eagle maintains a superior level of integrity in interactions with all of our business partners and customers. We also take tremendous pride in being model corporate citizens.

SA Polycarbonate Vehicle Traffic Signal



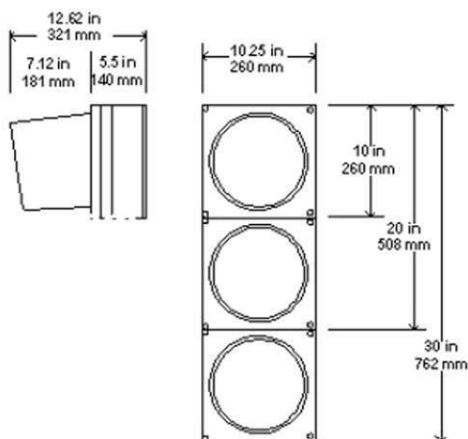
EAGLE[®]
Traffic

Diagram

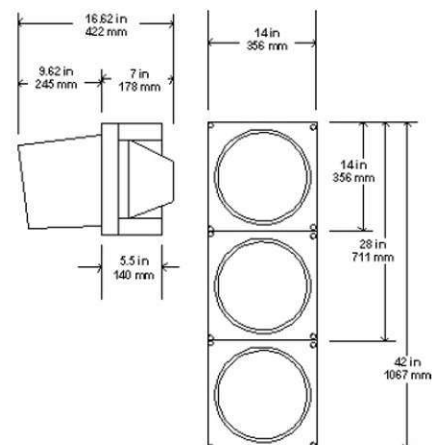


Weights	8" (200 mm)	12" (300 mm)
Single section with visor (approx.)	4 lbs. (1.81 kg)	7 lbs. (3.18 kg)
Housing Only	1 lbs. 6.4 oz. (.64 kg)	2 lbs. 5.2 oz. (1.05 kg)
Door Only	7.5 oz. (.21 kg)	15.1 oz. (.43 kg)

8" (200 mm) Signal Dimensions



12" (300 mm) Signal Dimensions



SA Polycarbonate Vehicle Traffic Signal



EAGLE[®]
Traffic

Signal Replacement Parts

Ref No.	Description	Part No. 8" (200 mm)	Part No. 12" (300 mm)
1	Signal Housing, Green	KB19113	KB4818
	Signal Housing, Yellow	KB19111	KB8416
	Signal Housing, Black	KB19112	KB8417
2	Screw (10 - 24 hex screw)	141716	141716
3	Flange Nut	150715	150715
4	Door Hinge Pin	K1196	K1196
5	Thumbscrew, SS	141212	141212
6	Thumbscrew Washer, SS	155924	155924
7	Hole Plug	PHP16	PHP16
8	Lens Clip, Generic	A84436155	A84436155
9	Lens Clip, Screw	133029	133029
10	Signal Door, Green	PDM2029	PDM2032
	Signal Door, Yellow	PDM2028	PDM2031
	Signal Door, Black	PDM2027	PDM2030
11	Visor - Tunnel	A700119 XX	A700120 XX
	Visor - Cutaway	A700468 XX	A700469 XX
12	Visor Screw (10-32 x 3/8")	135021	135021
13	Terminal Block, 6 Pos. Spade Type	PCT100TX	PCT100TX
14	Terminal Block Screw, SS	A702121	A702121

mobotrex[®]
MOBILITY & TRAFFIC EXPERTS