



Advanced Technology. Simple Solutions.

# POLE-MOUNT UPS ENCLOSURE

## SPW01U

This cabinet is designed to support a small UPS (uninterruptable power supply) and a single large battery or two small batteries.

### Features / Specifications

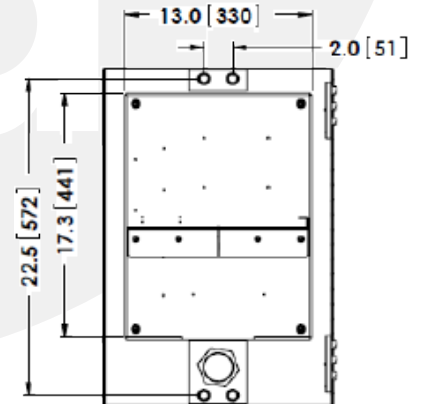
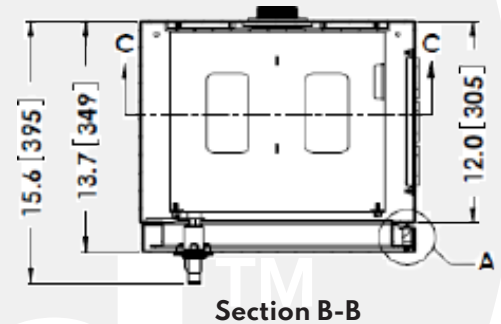
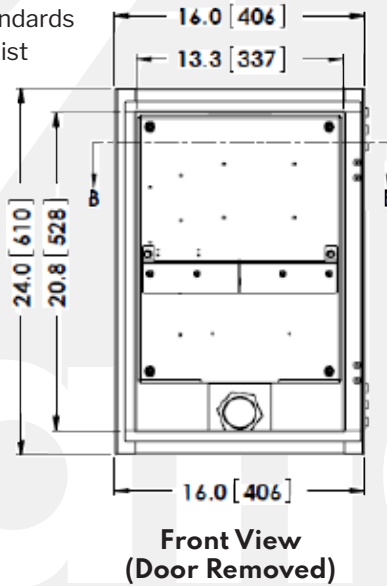
- 304 (#4) stainless or marine-grade aluminum construction
- Aluminum enclosures are powder coated PC101 Grey
- CSA type 3R rated
- Padlockable stainless steel handle
- Pole-mounting holes on back
- Hidden hinges for added security
- UPS vented shelf
- 2-in chase nipples
- Full aluminum back panel
- Pole wiring access hole and chase nipple
- All mounting hardware included
- ETL certified to applicable CSA and UL standards
- Listed on BC MOTI Recognized Products List

### Options

- Heater and thermostat
- Fan and thermostat
- Pre-purchased backpan
- Power distribution equipment
- Humidistat

### Benefits

This 'mini' style UPS cabinet is used at small intersections or railway crossings. With the filtered louvers, fitted shelf, and compact design, this cabinet exceeds the requirements for an outdoor-rated UPS cabinet.



PART NUMBER	HEIGHT	WIDTH	DEPTH	MATERIAL
SPW01-UPS-A	24 in	16 in	12 in	ALUMINUM
SPW01-UPS-S	24 in	16 in	12 in	STAINLESS STEEL

Contact Valid for all available options.