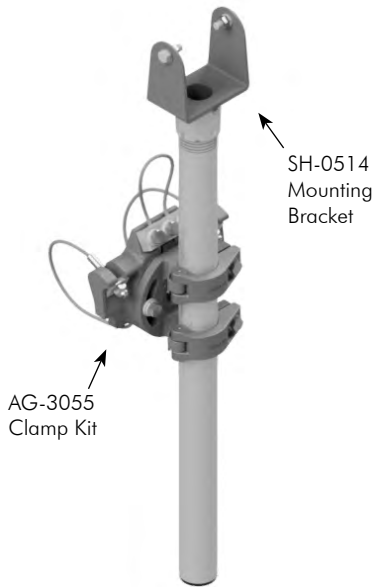


Astro-Brac 1-Piece Camera Bracket Cable Mount

Pelco makes adjustable brackets for cameras, sensors and antennas that can mount a variety of traffic industry devices. Video Detection camera brackets are available for mast arm, post top, span wire or side-of-pole applications.



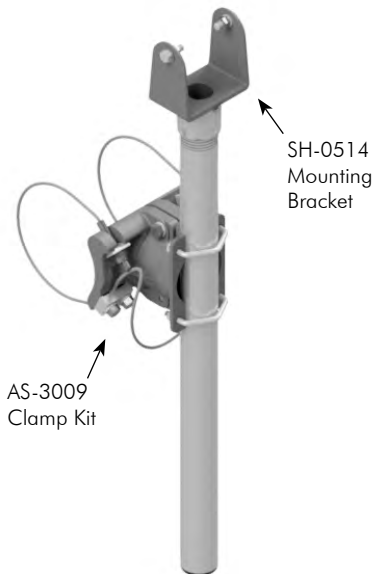
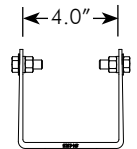
Galaxy Camera Bracket, 1-Piece Extended Tilt & Pan, Alum Stainless Cable Mount

AG-0175 - - -

1.94" OD Tube Length Cable Length Coating

23=23" Tube See Table PNC=Process No Color
37=37" Tube P__=Paint
46=46" Tube
58=58" Tube
74=74" Tube

Cable Length:	62"	84"	96"	120"	144"	220"	280"
Maximum Pole Dia:	7.0"	10.5"	12.4"	16.2"	20.1"	32.2"	35.0"
Pole Dia w/ Ty-back:	4.5"	7.6"	9.6"	13.4"	17.2"	29.3"	35.0"



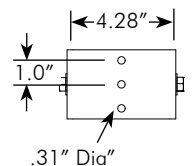
Stellar Camera Bracket, 1-Piece Extended Tilt & Pan, Alum Stainless Cable Mount

AS-0175 - - -

1.94" OD Tube Length Cable Length Coating

23=23" Tube See Table PNC=Process No Color
37=37" Tube P__=Paint
46=46" Tube
58=58" Tube
74=74" Tube

Cable Length:	62"	84"	96"	120"	144"	220"	280"
Maximum Pole Dia:	7.0"	10.5"	12.4"	16.2"	20.1"	32.2"	35.0"
Pole Dia w/ Ty-back:	4.5"	7.6"	9.6"	13.4"	17.2"	29.3"	35.0"



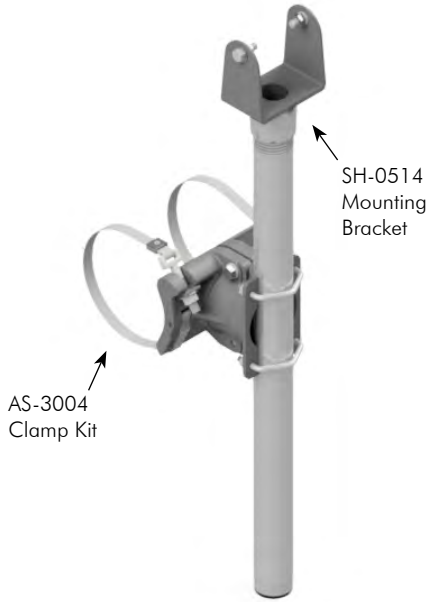
- Note: 1. All assemblies are supplied standard with stainless steel cable, clamp screw, and fasteners.
2. See T7-28-and T7-29 for camera mounting brackets.
3. See Reference Section page v for available paint colors.



Astro-Brac

1-Piece Camera Bracket Band and Tenon Mount

Pelco makes adjustable brackets for cameras, sensors and antennas that can mount a variety of traffic industry devices. Video Detection camera brackets are available for mast arm, post top, span wire or side-of-pole applications.



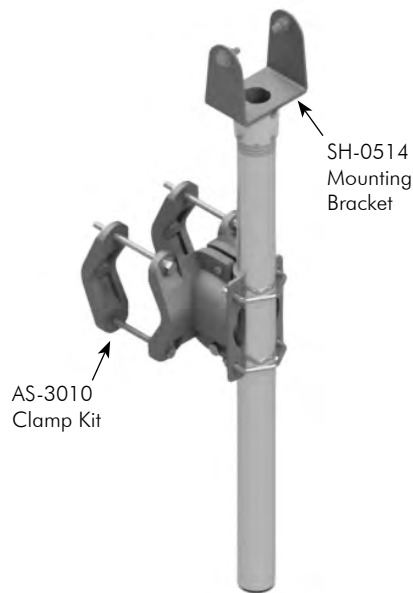
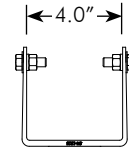
Stellar Camera Bracket, 1-Piece Extended Tilt & Pan, Alum Stainless Band Mount

AS-0170 - 1.94" OD Tube Length - Band Length - Coating

23=23" Tube
37=37" Tube
46=46" Tube
58=58" Tube
74=74" Tube

See Table
PNC=Process No Color
P__=Paint

Band Length:	29"	42"	56"	72"	114"
Maximum Pole Dia:	7.3"	11.5"	15.9"	21.0"	34.4"



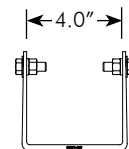
Stellar Camera Bracket, 1-Piece Extended Tilt & Pan, Alum Tenon Mount

AS-0629 - 1.94" OD Tube Length - Coating

23=23" Tube
37=37" Tube
46=46" Tube
58=58" Tube
74=74" Tube

PNC=Process No Color
P__=Paint

Note:
Fits 1.9" to 4.5" diameter.



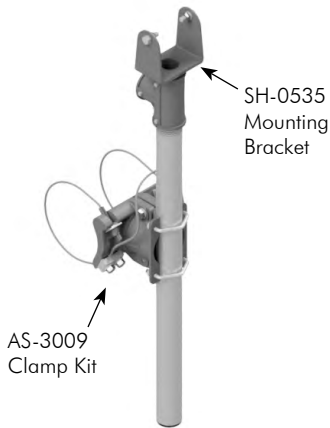
- Note: 1. All assemblies are supplied standard with stainless steel cable, clamp screw, and fasteners.
2. See T7-28-and T7-29 for camera mounting brackets.
3. See Reference Section page v for available paint colors.



CAMERA MOUNTS

Astro-Brac 1-Piece Camera Bracket with Service Wire Outlet

Pelco makes adjustable brackets for cameras, sensors and antennas that can mount a variety of traffic industry devices. Video Detection camera brackets are available for mast arm, post top, span wire or side-of-pole applications.

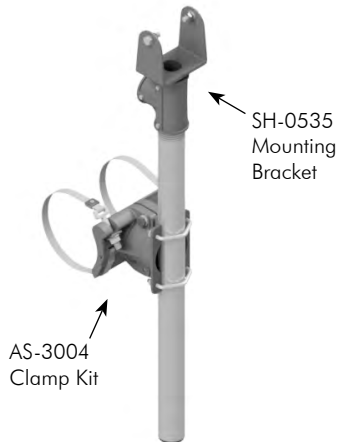
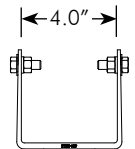


Stellar Camera Bracket, 1-Piece Extended Tilt & Pan w/ Service Wire Outlet, Alum Stainless Cable Mount

AS-0166 - - -

1.94" OD Tube Length Cable Length Coating
 23=23" Tube See Table PNC=Process No Color
 37=37" Tube P__=Paint
 46=46" Tube
 58=58" Tube
 74=74" Tube

Cable Length:	62"	84"	96"	120"	144"	220"	280"
Maximum Pole Dia:	7.0"	10.5"	12.4"	16.2"	20.1"	32.2"	35.0"
Pole Dia w/ Ty-back:	4.5"	7.6"	9.6"	13.4"	17.2"	29.3"	35.0"

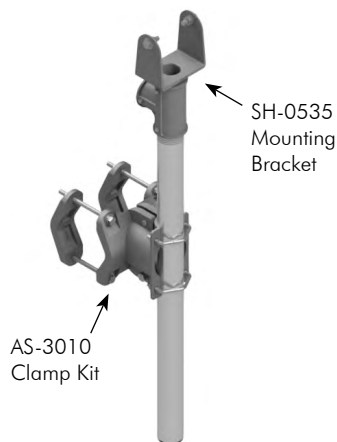
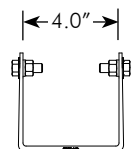


Stellar Camera Bracket, 1-Piece Extended Tilt & Pan w/ Service Wire Outlet, Alum Stainless Band Mount

AS-0177 - - -

1.94" OD Tube Length Band Length Coating
 23=23" Tube See Table PNC=Process No Color
 37=37" Tube P__=Paint
 46=46" Tube
 58=58" Tube
 74=74" Tube

Band Length:	29"	42"	56"	72"	114"
Maximum Pole Dia:	7.3"	11.5"	15.9"	21.0"	34.4"

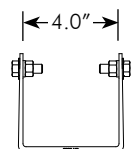


Stellar Camera Bracket, 1-Piece Extended Tilt & Pan w/ Service Wire Outlet, Alum Tenon Mount

AS-0654 - -

1.94" OD Tube Length Coating
 23=23" Tube PNC=Process No Color
 37=37" Tube P__=Paint
 46=46" Tube
 58=58" Tube
 74=74" Tube

Note:
Fits 1.9" to 4.5" diameter.



- Note: 1. All assemblies are supplied standard with stainless steel cable, clamp screw, and fasteners.
 2. See T7-28-and T7-29 for camera mounting brackets.
 3. See Reference Section page v for available paint colors.



Astro-Brac

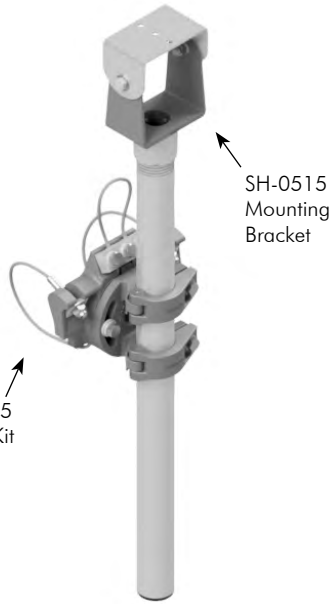
2-Piece Camera Bracket

Cable Mount

Pelco makes adjustable brackets for cameras, sensors and antennas that can mount a variety of traffic industry devices. Video Detection camera brackets are available for mast arm, post top, span wire or side-of-pole applications.



CAMERA MOUNTS



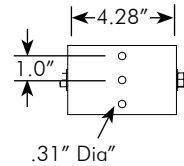
Galaxy Camera Bracket, 2-Piece Extended Tilt & Pan, Alum Stellar Cable Mount

AG-0169 - - -

1.94" OD Tube Length Cable Length Coating

23=23" Tube See Table PNC=Process No Color
37=37" Tube P__=Paint
46=46" Tube
58=58" Tube
74=74" Tube

Cable Length:	62"	84"	96"	120"	144"	220"	280"
Maximum Pole Dia:	7.0"	10.5"	12.4"	16.2"	20.1"	32.2"	35.0"
Pole Dia w/ Ty-back:	4.5"	7.6"	9.6"	13.4"	17.2"	29.3"	35.0"



AG-3055
Clamp Kit

SH-0515
Mounting
Bracket

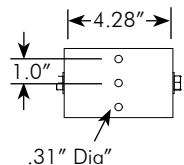
Stellar Camera Bracket, 2-Piece Extended Tilt & Pan, Alum Stainless Cable Mount, Alum

AS-0169 - - -

1.94" OD Tube Length Cable Length Coating

23=23" Tube See Table PNC=Process No Color
37=37" Tube P__=Paint
46=46" Tube
58=58" Tube
74=74" Tube

Cable Length:	62"	84"	96"	120"	144"	220"	280"
Maximum Pole Dia:	7.0"	10.5"	12.4"	16.2"	20.1"	32.2"	35.0"
Pole Dia w/ Ty-back:	4.5"	7.6"	9.6"	13.4"	17.2"	29.3"	35.0"



AS-3009
Clamp Kit

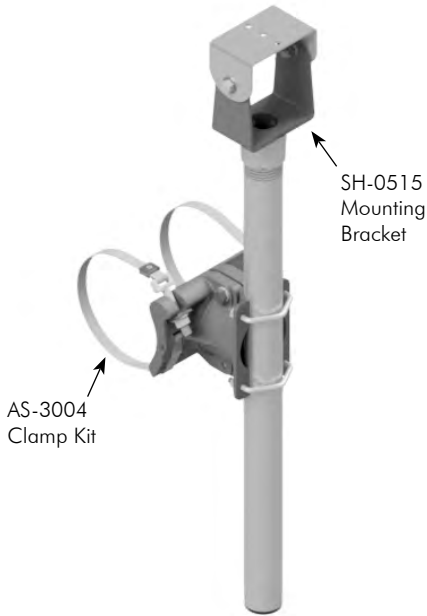
SH-0515
Mounting
Bracket

- Note: 1. All assemblies are supplied standard with stainless steel cable, clamp screw, and fasteners.
2. See T7-28-and T7-29 for camera mounting brackets.
3. See Reference Section page v for available paint colors.



Astro-Brac 2-Piece Camera Bracket Band and Tenon Mount

Pelco makes adjustable brackets for cameras, sensors and antennas that can mount a variety of traffic industry devices. Video Detection camera brackets are available for mast arm, post top, span wire or side-of-pole applications.



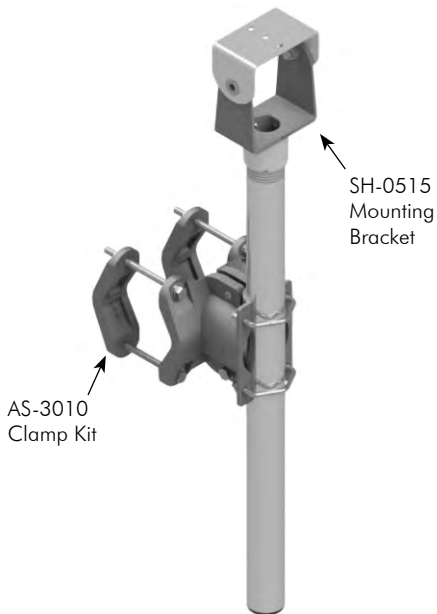
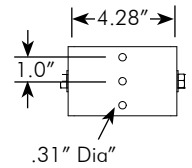
Stellar Camera Bracket, 2-Piece Extended Tilt & Pan, Alum Stainless Band Mount

AS-0172 - - -

1.94" OD Tube Length Band Length Coating

23=23" Tube See Table PNC=Process No Color
37=37" Tube P__=Paint
46=46" Tube
58=58" Tube
74=74" Tube

Band Length:	29"	42"	56"	72"	114"
Maximum Pole Dia:	7.3"	11.5"	15.9"	21.0"	34.4"



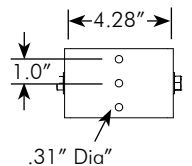
Stellar Camera Bracket, 2-Piece Extended Tilt & Pan, Alum Tenon Mount

AS-0653 - -

1.94" OD Tube Length Coating

23=23" Tube PNC=Process No Color
37=37" Tube P__=Paint
46=46" Tube
58=58" Tube
74=74" Tube

Note:
Fits 1.9" to 4.5" diameter.



- Note: 1. All assemblies are supplied standard with stainless steel cable, clamp screw, and fasteners.
2. See T7-28-and T7-29 for camera mounting brackets.
3. See Reference Section page v for available paint colors.

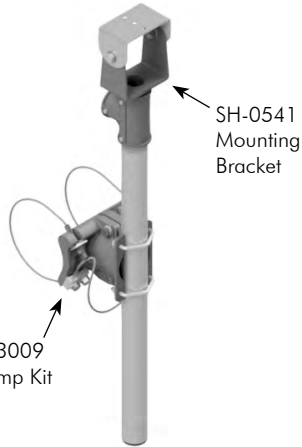


Astro-Brac 2-Piece Camera Bracket with Service Wire Outlet

Pelco makes adjustable brackets for cameras, sensors and antennas that can mount a variety of traffic industry devices. Video Detection camera brackets are available for mast arm, post top, span wire or side-of-pole applications.



CAMERA MOUNTS

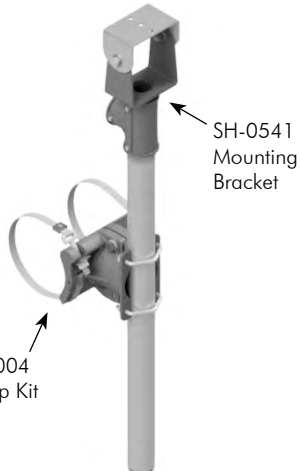
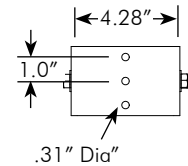


Stellar Camera Bracket, 2-Piece Extended Tilt & Pan w/ Service Wire Outlet, Alum Stainless Cable Mount

AS-0164 - - -

1.94" OD Tube Length Cable Length Coating
 23=23" Tube See Table PNC=Process No Color
 37=37" Tube P__=Paint
 46=46" Tube
 58=58" Tube
 74=74" Tube

Cable Length:	62"	84"	96"	120"	144"	220"	280"
Maximum Pole Dia:	7.0"	10.5"	12.4"	16.2"	20.1"	32.2"	35.0"
Pole Dia w/ Ty-back:	4.5"	7.6"	9.6"	13.4"	17.2"	29.3"	35.0"

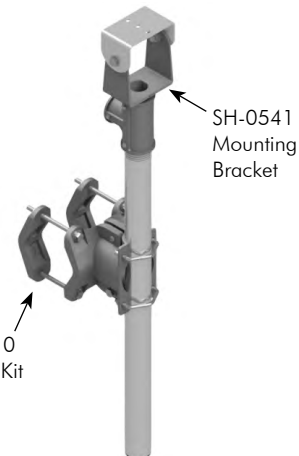
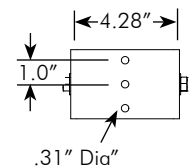


Stellar Camera Bracket, 2-Piece Extended Tilt & Pan w/ Service Wire Outlet, Alum Stainless Band Mount

AS-0173 - - -

1.94" OD Tube Length Band Length Coating
 23=23" Tube See Table PNC=Process No Color
 37=37" Tube P__=Paint
 46=46" Tube
 58=58" Tube
 74=74" Tube

Band Length:	29"	42"	56"	72"	114"
Maximum Pole Dia:	7.3"	11.5"	15.9"	21.0"	34.4"

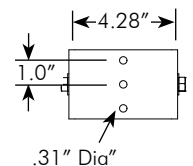


Stellar Camera Bracket, 2-Piece Extended Tilt & Pan w/ Service Wire Outlet, Alum Tenon Mount

AS-0655 - -

1.94" OD Tube Length Coating
 23=23" Tube PNC=Process No Color
 37=37" Tube P__=Paint
 46=46" Tube
 58=58" Tube
 74=74" Tube

Note:
Fits 1.9" to 4.5" diameter.



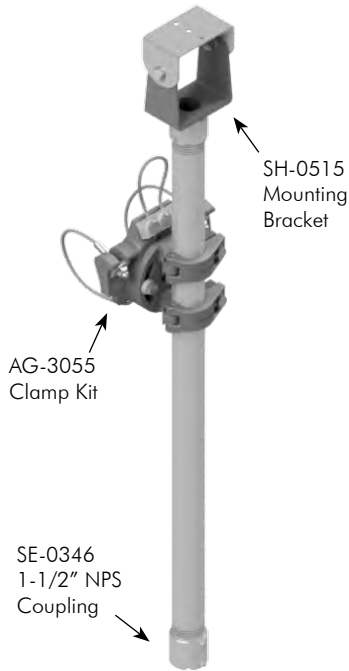
pelco
PELCO PRODUCTS, INC.

- Note: 1. All assemblies are supplied standard with stainless steel cable, clamp screw, and fasteners.
 2. See T7-28 and T7-29 for camera mounting brackets.
 3. See Reference Section page v for available paint colors.



Astro-Brac 2-Piece Camera Bracket Cable Mount

Pelco makes adjustable brackets for cameras, sensors and antennas that can mount a variety of traffic industry devices. Video Detection camera brackets are available for mast arm, post top, span wire or side-of-pole applications.



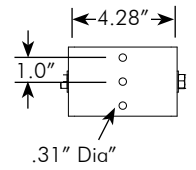
Galaxy Camera Bracket, Dual, 2-Piece Extended Tilt & Pan, Alum Stainless Cable Mount

1.94" OD Tube Length Cable Length Coating

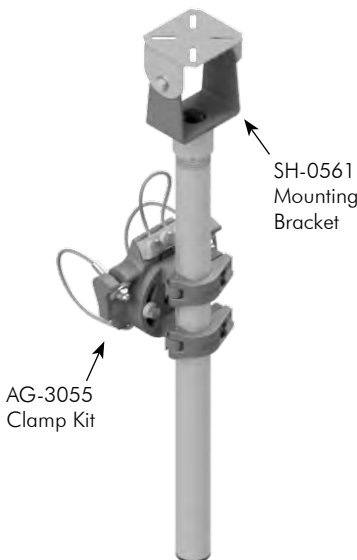
AG-0697 - - -

23=23" Tube See Table PNC=Process No Color
37=37" Tube Table P_ =Paint
46=46" Tube
58=58" Tube
74=74" Tube

Cable Length:	62"	84"	96"	120"	144"	220"	280"
Maximum Pole Dia:	7.0"	10.5"	12.4"	16.2"	20.1"	32.2"	35.0"
Pole Dia w/ Ty-back:	4.5"	7.6"	9.6"	13.4"	17.2"	29.3"	35.0"



Galaxy Camera Bracket, Radar, 2-Piece Extended Tilt & Pan, Alum Stainless Cable Mount

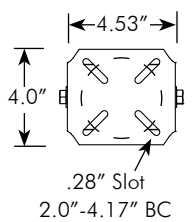


1.94" OD Tube Length Cable Length Coating

AG-0698 - - -

23=23" Tube See Table PNC=Process No Color
37=37" Tube Table P_ =Paint
46=46" Tube
58=58" Tube
74=74" Tube

Cable Length:	62"	84"	96"	120"	144"	220"	280"
Maximum Pole Dia:	7.0"	10.5"	12.4"	16.2"	20.1"	32.2"	35.0"
Pole Dia w/ Ty-back:	4.5"	7.6"	9.6"	13.4"	17.2"	29.3"	35.0"



- Note: 1. All assemblies are supplied standard with stainless steel cable, clamp screw, and fasteners.
2. See T7-28-and T7-29 for camera mounting brackets.
3. See Reference Section page v for available paint colors.

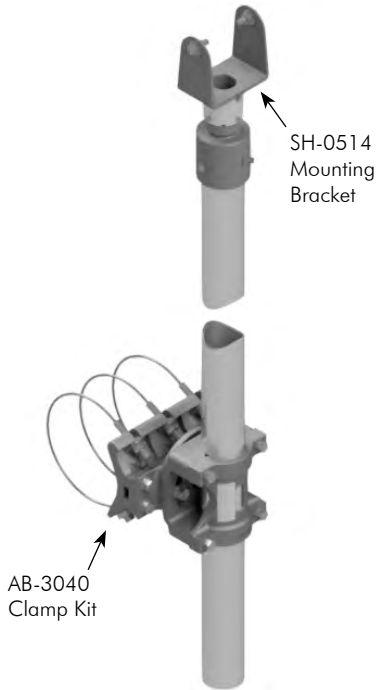


This page is intentionally left blank.



Astro-Brac 1-Piece Camera Bracket Triton Series

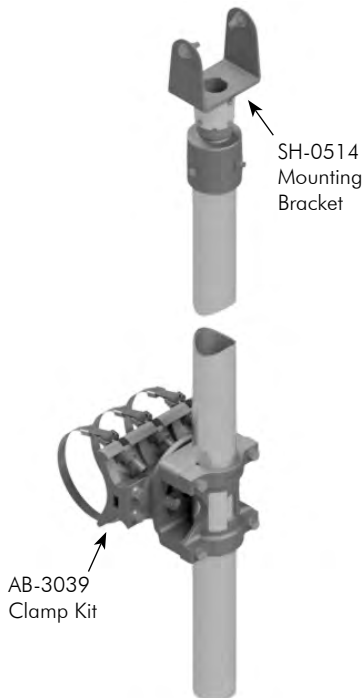
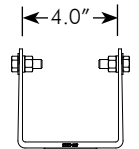
With three bands or cables and a 2-3/8" OD tube the Triton Camera Bracket is an ideal solution for heavier items and higher mountings. A member of the Astro-Brac family, the bracket rotates 360°, has greater strength, and can reach up to a 15' height.



Triton Camera Bracket, 1-Piece Extended Tilt & Pan, Alum Stainless Cable Mount

2.38" OD Tube Length Cable Length Coating
 AB-0601 - - -
 120=10' Tube See Table PNC=Process No Color
 144=12' Tube P__=Paint
 180=15' Tube

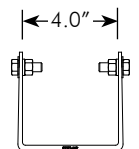
Cable Length:	45"	62"	84"
Maximum Pole Dia:	11.1"	16.6"	22.0"



Triton Camera Bracket, 1-Piece Extended Tilt & Pan, Alum Stainless Band Mount

2.38" OD Tube Length Band Length Coating
 AB-0600 - - -
 120=10' Tube See Table PNC=Process No Color
 144=12' Tube P__=Paint
 180=15' Tube

Band Length:	29"	42"	56"	72"
Maximum Pole Dia:	7.3"	11.5"	15.9"	21.0"

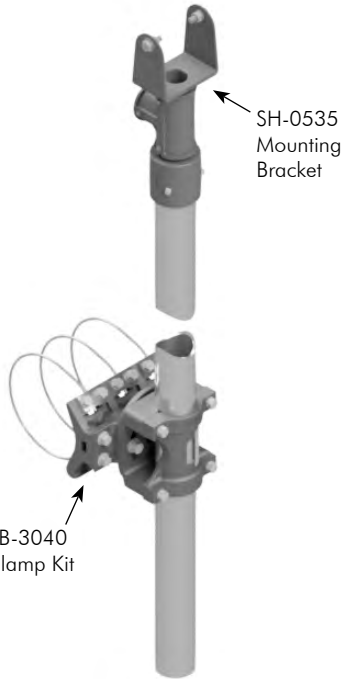


- Note: 1. All assemblies are supplied standard with stainless steel cable, clamp screw, and fasteners.
 2. See T7-28-and T7-29 for camera mounting brackets.
 3. See Reference Section page v for available paint colors.



Astro-Brac 1-Piece Camera Bracket with Service Wire Outlet Triton Series

With three bands or cables and a 2-3/8" OD tube the Triton Camera Bracket is an ideal solution for heavier items and higher mountings. A member of the Astro-Brac family, the bracket rotates 360°, has greater strength, and can reach up to a 15' height.



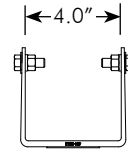
Triton Camera Bracket, 1-Piece Extended Tilt & Pan w/ Service Wire Outlet, Alum Stainless Cable Mount

AB-0613 - - -

2.38" OD Tube Length Cable Length Coating

120=10' Tube See Table PNC=Process No Color
144=12' Tube P__=Paint
180=15' Tube

Cable Length:	45"	62"	84"
Maximum Pole Dia:	11.1"	16.6"	22.0"



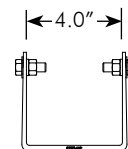
Triton Camera Bracket, 1-Piece Extended Tilt & Pan w/ Service Wire Outlet, Alum Stainless Band Mount

AB-0612 - - -

2.38" OD Tube Length Band Length Coating

120=10' Tube See Table PNC=Process No Color
144=12' Tube P__=Paint
180=15' Tube

Band Length:	29"	42"	56"	72"
Maximum Pole Dia:	7.3"	11.5"	15.9"	21.0"

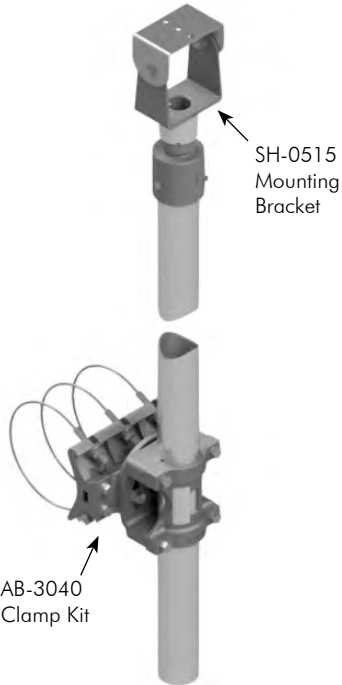


- Note: 1. All assemblies are supplied standard with stainless steel cable, clamp screw, and fasteners.
2. See T7-28 and T7-29 for camera mounting brackets.
3. See Reference Section page v for available paint colors.



Astro-Brac 2-Piece Camera Bracket Triton Series

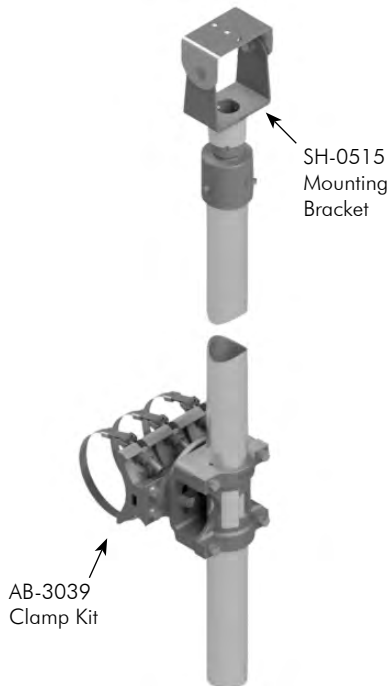
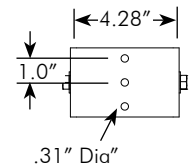
With three bands or cables and a 2-3/8" OD tube the Triton Camera Bracket is an ideal solution for heavier items and higher mountings. A member of the Astro-Brac family, the bracket rotates 360°, has greater strength, and can reach up to a 15' height.



Triton Camera Bracket, 2-Piece Extended Tilt & Pan, Alum Stainless Cable Mount

2.38" OD Tube Length Cable Length Coating
 AB-0611 - - -
 120=10' Tube See Table PNC=Process No Color
 144=12' Tube P__=Paint
 180=15' Tube

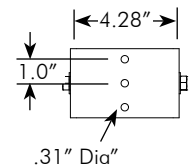
Cable Length:	45"	62"	84"
Maximum Pole Dia:	11.1"	16.6"	22.0"



Triton Camera Bracket, 2-Piece Extended Tilt & Pan, Alum Stainless Band Mount

2.38" OD Tube Length Band Length Coating
 AB-0610 - - -
 120=10' Tube See Table PNC=Process No Color
 144=12' Tube P__=Paint
 180=15' Tube

Band Length:	29"	42"	56"	72"
Maximum Pole Dia:	7.3"	11.5"	15.9"	21.0"

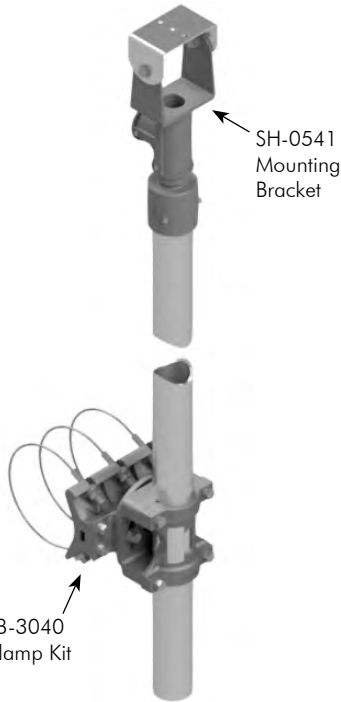


- Note: 1. All assemblies are supplied standard with stainless steel cable, clamp screw, and fasteners.
 2. See T7-28-and T7-29 for camera mounting brackets.
 3. See Reference Section page v for available paint colors.



Astro-Brac 2-Piece Camera Bracket with Service Wire Outlet Triton Series

With three bands or cables and a 2-3/8" OD tube the Triton Camera Bracket is an ideal solution for heavier items and higher mountings. A member of the Astro-Brac family, the bracket rotates 360°, has greater strength, and can reach up to a 15' height.



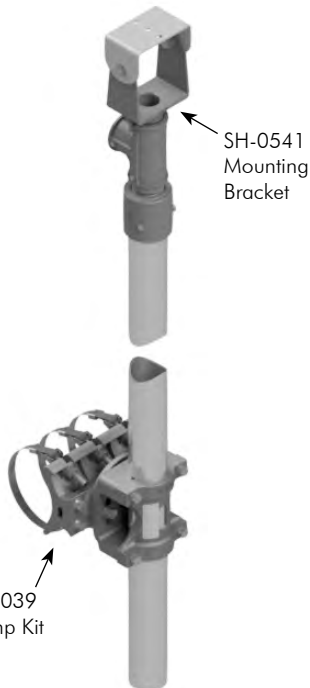
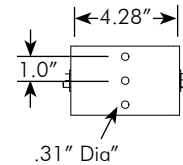
Triton Camera Bracket, 2-Piece Extended Tilt & Pan w/ Service Wire Outlet, Alum Stainless Cable Mount

AB-0615 - - -

2.38" OD Tube Length Cable Length Coating

120=10' Tube See Table PNC=Process No Color
144=12' Tube P__=Paint
180=15' Tube

Cable Length:	45"	62"	84"
Maximum Pole Dia:	11.1"	16.6"	22.0"



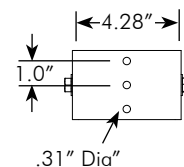
Triton Camera Bracket, 2-Piece Extended Tilt & Pan w/ Service Wire Outlet, Alum Stainless Band Mount

AB-0614 - - -

2.38" OD Tube Length Band Length Coating

120=10' Tube See Table PNC=Process No Color
144=12' Tube P__=Paint
180=15' Tube

Band Length:	29"	42"	56"	72"
Maximum Pole Dia:	7.3"	11.5"	15.9"	21.0"

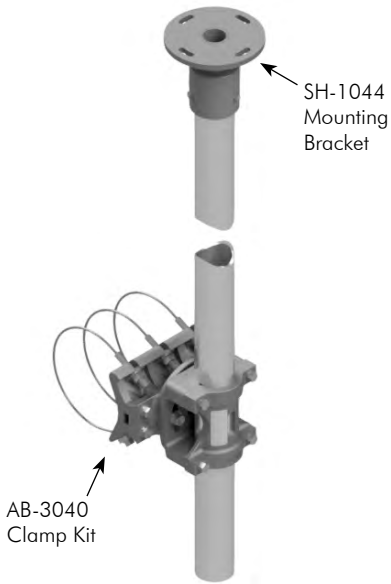


- Note: 1. All assemblies are supplied standard with stainless steel cable, clamp screw, and fasteners.
2. See T7-28-and T7-29 for camera mounting brackets.
3. See Reference Section page v for available paint colors.



Astro-Brac Camera Bracket COHU Type

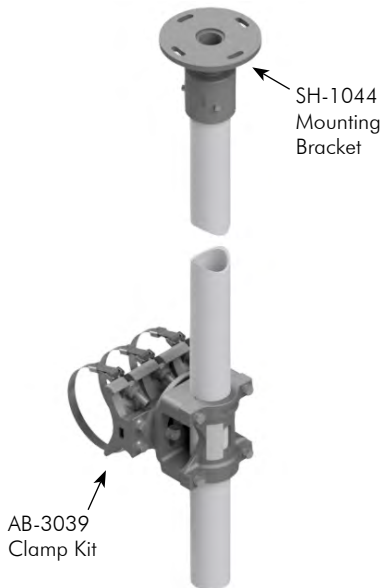
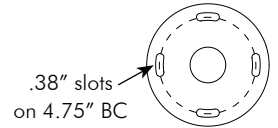
Designed to mount COHU type cameras, the 1-piece or 2-piece brackets have a 4-3/4" mounting bolt circle. Brackets are available with Pelco's Stellar series clamp kits with a 1-15/16" OD tube or the more robust Triton series clamp kits with a 2-3/8" OD tube.



Triton Camera Bracket, COHU Type, Alum Stainless Cable Mount

2.38" OD Tube Length Cable Length Coating
 AB-0628 - - -
 120=10' Tube See Table PNC=Process No Color
 144=12' Tube P__=Paint
 180=15' Tube

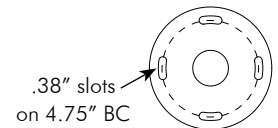
Cable Length:	45"	62"	84"
Maximum Pole Dia:	11.1"	16.6"	22.0"



Triton Camera Bracket, COHU Type, Alum Stainless Band Mount

2.38" OD Tube Length Band Length Coating
 AB-0627 - - -
 120=10' Tube See Table PNC=Process No Color
 144=12' Tube P__=Paint
 180=15' Tube

Band Length:	29"	42"	56"	72"
Maximum Pole Dia:	7.3"	11.5"	15.9"	21.0"



- Note: 1. All assemblies are supplied standard with stainless steel cable, clamp screw, and fasteners.
 2. See T7-28-and T7-29 for camera mounting brackets.
 3. See Reference Section page v for available paint colors.

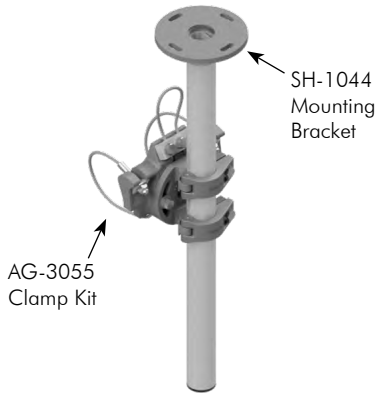


Astro-Brac Camera Bracket COHU Type

Designed to mount COHU type cameras, the 1-piece or 2-piece brackets have a 4-3/4" mounting bolt circle. Brackets are available with Pelco's Stellar series clamp kits with a 1-15/16" OD tube or the more robust Triton series clamp kits with a 2-3/8" OD tube.

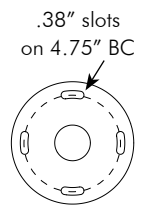


Galaxy Camera Bracket, COHU Type, Alum Stainless Cable Mount



1.94" OD Tube Length Cable Length Coating
 AG-0619 - - -
 23=23" Tube See Table PNC=Process No Color
 37=37" Tube P__=Paint
 46=46" Tube
 58=58" Tube
 74=74" Tube

Cable Length:	62"	84"	96"	120"	144"	220"	280"
Maximum Pole Dia:	7.0"	10.5"	12.4"	16.2"	20.1"	32.2"	35.0"
Pole Dia w/ Ty-back:	4.5"	7.6"	9.6"	13.4"	17.2"	29.3"	35.0"

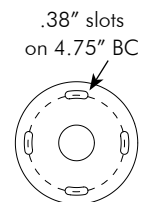


Stellar Camera Bracket, COHU Type, Alum Stainless Cable Mount



1.94" OD Tube Length Cable Length Coating
 AS-0619 - - -
 23=23" Tube See Table PNC=Process No Color
 37=37" Tube P__=Paint
 46=46" Tube
 58=58" Tube
 74=74" Tube

Cable Length:	62"	84"	96"	120"	144"	220"	280"
Maximum Pole Dia:	7.0"	10.5"	12.4"	16.2"	20.1"	32.2"	35.0"
Pole Dia w/ Ty-back:	4.5"	7.6"	9.6"	13.4"	17.2"	29.3"	35.0"

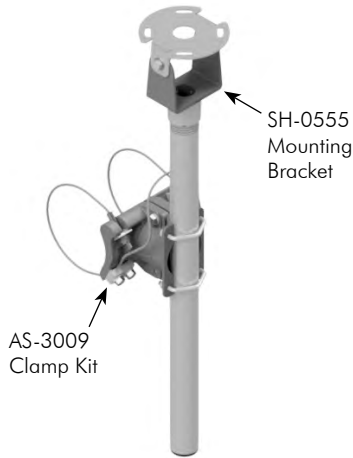


- Note: 1. All assemblies are supplied standard with stainless steel cable, clamp screw, and fasteners.
 2. See T7-28-and T7-29 for camera mounting brackets.
 3. See Reference Section page v for available paint colors.



Astro-Brac Camera Bracket COHU Type

Designed to mount COHU type cameras, the 1-piece or 2-piece brackets have a 4-3/4" mounting bolt circle. Brackets are available with Pelco's Stellar series clamp kits with a 1-15/16" OD tube or the more robust Triton series clamp kits with a 2-3/8" OD tube.



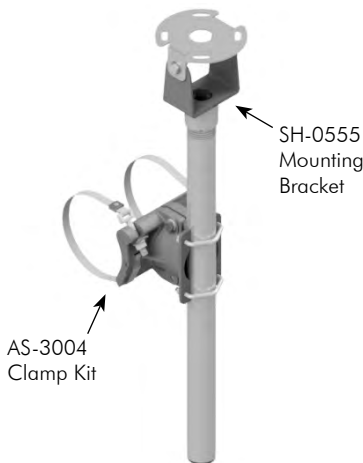
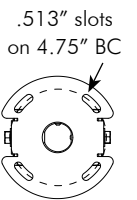
Stellar Camera Bracket, 2-Piece COHU Type, Alum Stainless Cable Mount

AS-0682 - - -

1.94" OD Tube Length Cable Length Coating

23=23" Tube See Table PNC=Process No Color
37=37" Tube P__=Paint
46=46" Tube
58=58" Tube
74=74" Tube

Cable Length:	62"	84"	96"	120"	144"	220"	280"
Maximum Pole Dia:	7.0"	10.5"	12.4"	16.2"	20.1"	32.2"	35.0"
Pole Dia w/ Ty-back:	4.5"	7.6"	9.6"	13.4"	17.2"	29.3"	35.0"



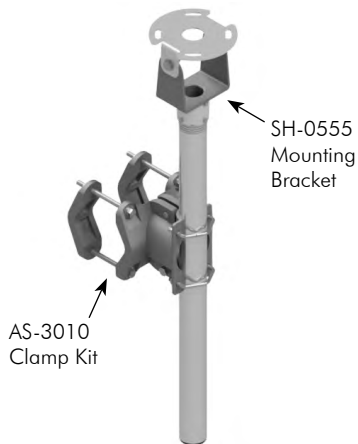
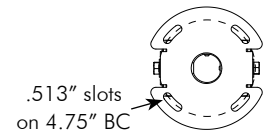
Stellar Camera Bracket, 2-Piece COHU Type, Alum Stainless Band Mount

AS-0681 - - -

1.94" OD Tube Length Band Length Coating

23=23" Tube See Table PNC=Process No Color
37=37" Tube P__=Paint
46=46" Tube
58=58" Tube
74=74" Tube

Band Length:	29"	42"	56"	72"	114"
Maximum Pole Dia:	7.3"	11.5"	15.9"	21.0"	34.4"



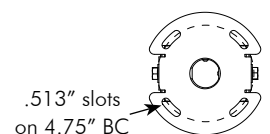
Stellar Camera Bracket, 2-Piece COHU Type, Alum Tenon Mount

AS-0683 - -

1.94" OD Tube Length Coating

23=23" Tube PNC=Process No Color
37=37" Tube P__=Paint
46=46" Tube
58=58" Tube
74=74" Tube

Note:
Fits 1.9" to 4.5" diameter.



- Note: 1. All assemblies are supplied standard with stainless steel cable, clamp screw, and fasteners.
2. See T7-28-and T7-29 for camera mounting brackets.
3. See Reference Section page v for available paint colors.

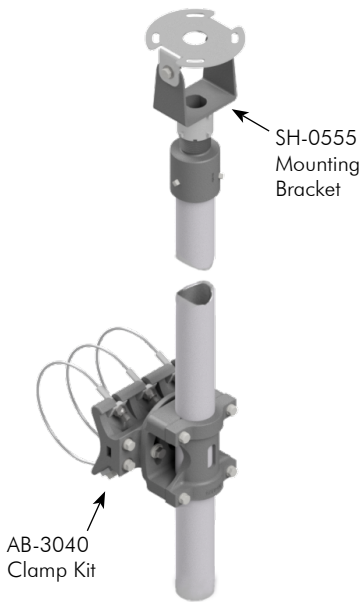


Astro-Brac Camera Bracket COHU Type

Designed to mount COHU type cameras, the 1-piece or 2-piece brackets have a 4-3/4" mounting bolt circle. Brackets are available with Pelco's Stellar series clamp kits with a 1-15/16" OD tube or the more robust Triton series clamp kits with a 2-3/8" OD tube.



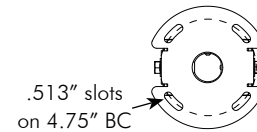
Triton Camera Bracket, 2-Piece COHU Type, Alum Stainless Cable Mount



AB-0699 - - -

2.38" OD Tube Length Cable Length Coating
 120=10' Tube See Table PNC=Process No Color
 144=12' Tube P__=Paint
 180=15' Tube

Cable Length:	45"	62"	84"
Maximum Pole Dia:	11.1"	16.6"	22.0"



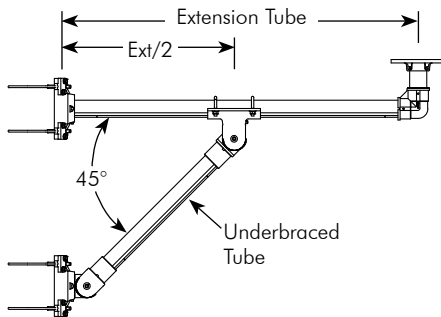
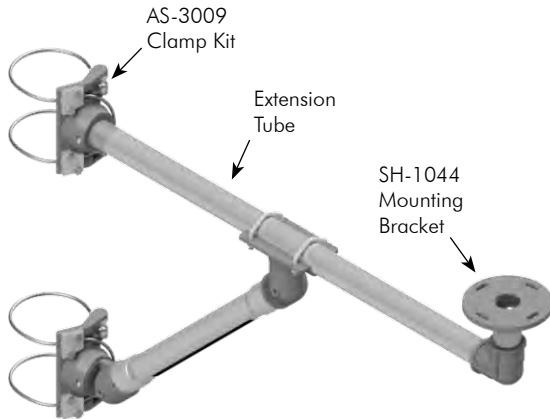
CAMERA MOUNTS
pelco
PELCO PRODUCTS, INC.

Note: 1. All assemblies are supplied standard with stainless steel cable, clamp screw, and fasteners.
 2. See T7-28-and T7-29 for camera mounting brackets.
 3. See Reference Section page v for available paint colors.



Astro-Brac Camera Bracket Underbraced COHU Type

The underbraced Camera Bracket provides a longer reach than what a single clamp kit can provide. Designed for mounting COHU type cameras this bracket is available with optional extension tube lengths.



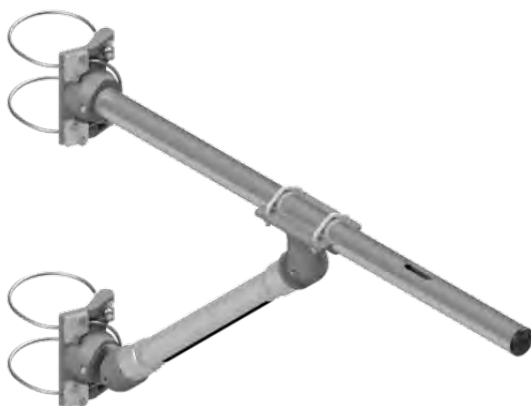
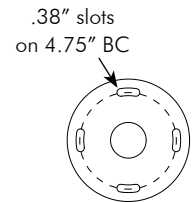
Stellar Camera Bracket, COHU Type, Extended Underbraced, Alum Stainless Cable Mount

AB-0704 - - - -

See Table See Table See Cable Table PNC=Process No Color
P__=Paint

Extension Tube:	37"	46"	60"	74"
Underbrace Tube:	18"	23"	32"	42"

Cable Length:	62"	84"	96"	120"	144"	220"	280"
Maximum Pole Dia:	7.0"	10.5"	12.4"	16.2"	20.1"	32.2"	35.0"
Pole Dia w/ Ty-back:	4.5"	7.6"	9.6"	13.4"	17.2"	29.3"	35.0"



Stellar Camera Bracket, Extended Underbraced, Alum Stainless Cable Mount

AB-0685 - - - -

See Table See Table See Cable Table PNC=Process No Color
P__=Paint

Extension Tube:	37"	46"	60"	74"
Underbrace Tube:	18"	23"	32"	42"

Cable Length:	62"	84"	96"	120"	144"	220"	280"
Maximum Pole Dia:	7.0"	10.5"	12.4"	16.2"	20.1"	32.2"	35.0"
Pole Dia w/ Ty-back:	4.5"	7.6"	9.6"	13.4"	17.2"	29.3"	35.0"

Note:
See SH-0557 for camera mounting bracket.

- Note: 1. All assemblies are supplied standard with stainless steel cable, clamp screw, and fasteners.
2. See T7-28-and T7-29 for camera mounting brackets.
3. See Reference Section page v for available paint colors.



This page is intentionally left blank.



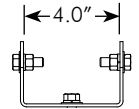
Mast Arm Mount

Pelco makes adjustable brackets for cameras, sensors and antennas that can mount a variety of traffic industry devices. Video Detection camera brackets are available for mast arm, post top, span wire or side-of-pole applications.



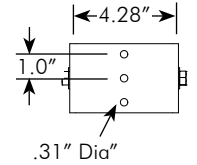
Camera Bracket, 1-Piece Tilt & Pan, Alum Mast Arm Mount

SH-0510 - Coating
 PNC=Process No Color
 P__=Paint



Camera Bracket, 2-Piece Tilt & Pan, Alum Mast Arm Mount

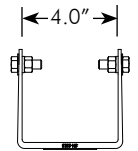
SH-0501 - Coating
 PNC=Process No Color
 P__=Paint



SH-0514
Mounting Bracket

Camera Bracket, 1-Piece Extended Tilt & Pan, Alum Mast Arm Mount

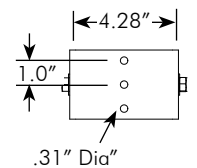
SH-0509 - - Nipple Length Coating
 06=6" Nipple PNC=Process No Color
 10=10" Nipple P__=Paint
 11=11" Nipple
 12=12" Nipple



SH-0515
Mounting Bracket

Camera Bracket, 2-Piece Extended Tilt & Pan, Alum Mast Arm Mount

SH-0504 - - Nipple Length Coating
 06=6" Nipple PNC=Process No Color
 10=10" Nipple P__=Paint
 11=11" Nipple
 12=12" Nipple



- Note: 1. All assemblies are supplied standard with stainless steel fasteners.
 2. See T7-28-and T7-29 for camera mounting brackets.
 3. See Reference Section page v for available paint colors.

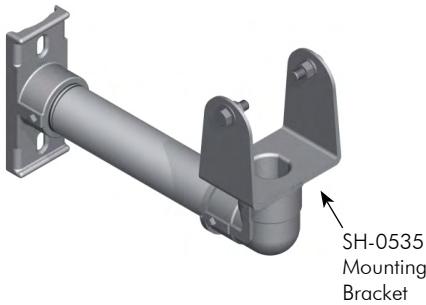


Side-of-Pole Extended Vertical Mount

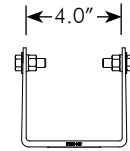
Pelco makes adjustable brackets for cameras, sensors and antennas that can mount a variety of traffic industry devices. Video Detection camera brackets are available for mast arm, post top, span wire or side-of-pole applications.



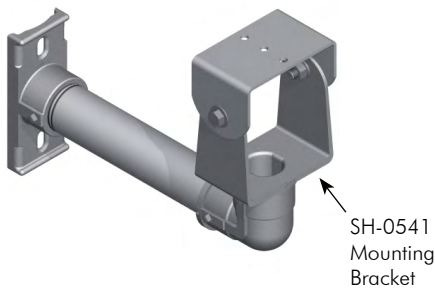
Camera Bracket, 1-Piece Extended Tilt & Pan, Alum Vertical Mount



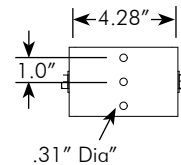
SH-0527 - -
 Nipple Length Coating
 11=11" Nipple PNC=Process No Color
 12=12" Nipple P__=Paint
 24=24" Nipple



Camera Bracket, 2-Piece Extended Tilt & Pan, Alum Vertical Mount



SH-0503 - -
 Nipple Length Coating
 11=11" Nipple PNC=Process No Color
 12=12" Nipple P__=Paint
 24=24" Nipple



- Note: 1. All assemblies are supplied standard with stainless steel fasteners.
 2. See T7-28-and T7-29 for camera mounting brackets.
 3. See Reference Section page v for available paint colors.

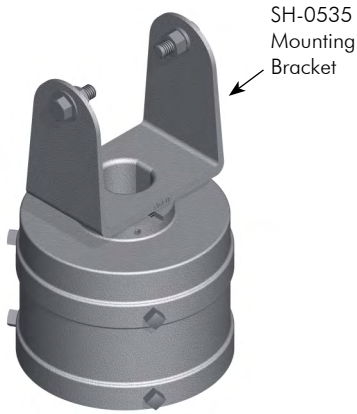


Post Top Mount

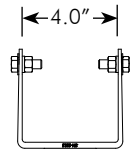
Pelco makes adjustable brackets for cameras, sensors and antennas that can mount a variety of traffic industry devices. Video Detection camera brackets are available for mast arm, post top, span wire or side-of-pole applications.



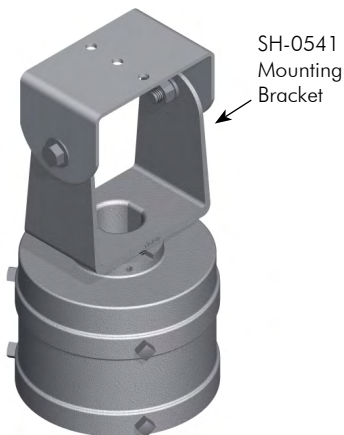
Camera Bracket, 1-Piece Tilt & Pan, Alum Post Top Mount for 4-1/2" OD Pole



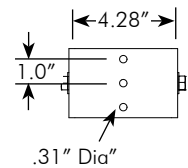
SH-0520 - Coating
 PNC=Process No Color
 P__=Paint



Camera Bracket, 2-Piece Tilt & Pan, Alum Post Top Mount for 4-1/2" OD Pole



SH-0519 - Coating
 PNC=Process No Color
 P__=Paint



- Note: 1. All assemblies are supplied standard with stainless steel fasteners.
 2. See T7-28-and T7-29 for camera mounting brackets.
 3. See Reference Section page v for available paint colors.



Span Wire Mount

Pelco makes adjustable brackets for cameras, sensors and antennas that can mount a variety of traffic industry devices. Video Detection camera brackets are available for mast arm, post top, span wire or side-of-pole applications.

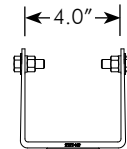


Camera Bracket, 2-Piece Extended Tilt & Pan w/ Service Wire Outlet, Alum Span Wire Mount

SH-0526 - - -

1.9" OD Tube Length Stainless Upgrade Coating

23=23" Tube Blank=Galv PNC=Process No Color
37=37" Tube SS=Stainless P__=Paint
46=46" Tube
58=58" Tube
74=74" Tube



Note: Stainless upgrade includes stainless steel fasteners and pins on span wire clamp.

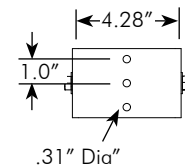


Camera Bracket, 2-Piece Extended Tilt & Pan w/ Service Wire Outlet Span Wire Mount, Alum

SH-0532 - - -

1.9" OD Tube Length Stainless Upgrade Coating

23=23" Tube Blank=Galv PNC=Process No Color
37=37" Tube SS=Stainless P__=Paint
46=46" Tube
58=58" Tube
74=74" Tube



Note: Stainless upgrade includes stainless steel fasteners and pins on span wire clamp.

- Note: 1. All assemblies are supplied standard with stainless steel fasteners with galvanized fasteners and pins on span wire clamps. Stainless upgrade available.
2. See T7-28 and T7-29 for camera mounting brackets.
3. See Reference Section page v for available paint colors..



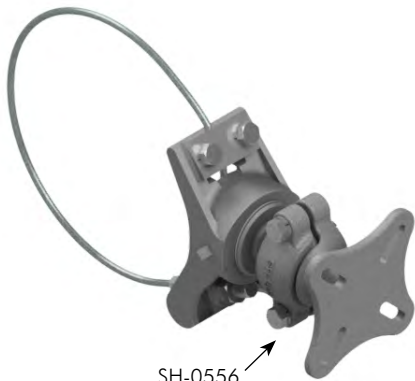
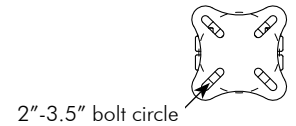
Orbital Mount

Pelco's Orbital Mount is a versatile and flexible omni-directional mounting assembly. It's ball and socket mechanism provides an infinite degree of solution for a variety of application that require precise aiming and directional adjustability, including wireless antennas, motion detectors, radios, cameras, lights and other sensing devices. An almost endless number of options can be added to enhance the capabilities of these versatile mounting assemblies.



Orbital Ball Mount, 1-1/2" NPS External Threads 2" to 3-1/2" BC, Alum

SH-0556 - -
 Coating
 PNC=Process No Color
 P__=Paint

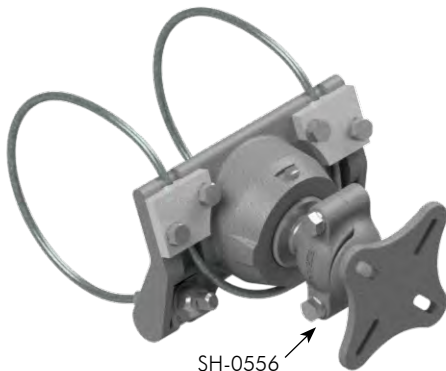
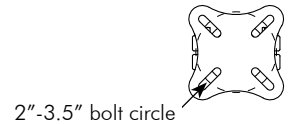


SH-0556
Orbital
Ball Mnt

Bracket Assy, Universal Orbital Mount, Stainless Cable Mini-Brac, Alum

SH-0554 - -
 Cable Length Coating
 See Table PNC=Process No Color
 P__=Paint

Cable Length:	45"	62"	84"
Maximum Pole Dia:	11.1"	16.6"	22.0"

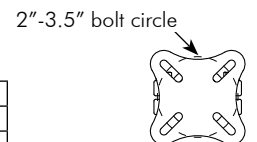


SH-0556
Orbital
Ball Mnt

Bracket Assy, Universal Orbital Mount, Stainless Cable Astro-Brac, Alum

SH-0564 - -
 Cable Length Coating
 See Table PNC=Process No Color
 P__=Paint

Cable Length:	62"	84"	96"	120"	144"	220"	280"
Maximum Pole Dia:	7.0"	10.5"	12.4"	16.2"	20.1"	32.2"	35.0"
Pole Dia w/ Ty-back:	4.5"	7.6"	9.6"	13.4"	17.2"	29.3"	35.0"



Note: 1. All assemblies are supplied standard with stainless steel cable, clamp screw, and fasteners.
 2. See Reference Section page v for available paint colors.

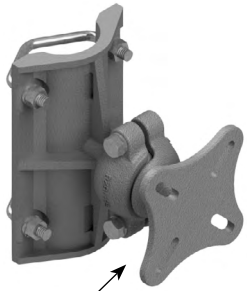


Orbital Mount

Pelco's Orbital Mount is a versatile and flexible omni-directional mounting assembly. It's ball and socket mechanism provides an infinite degree of solution for a variety of application that require precise aiming and directional adjustability, including wireless antennas, motion detectors, radios, cameras, lights and other sensing devices. An almost endless number of options can be added to enhance the capabilities of these versatile mounting assemblies.



Bracket Assy, Orbital Mount w/ Tube Saddle, Alum

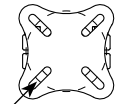


SH-0556
Orbital
Ball Mnt

SH-0553 -

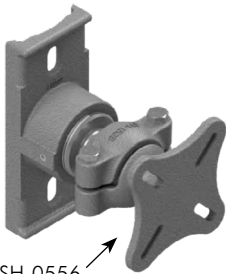
Coating

PNC=Process No Color
P__=Paint



2"-3.5" bolt circle

Bracket Assy, Orbital Mount w/ Universal Hub, Alum

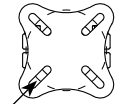


SH-0556
Orbital
Ball Mnt

SH-0565 -

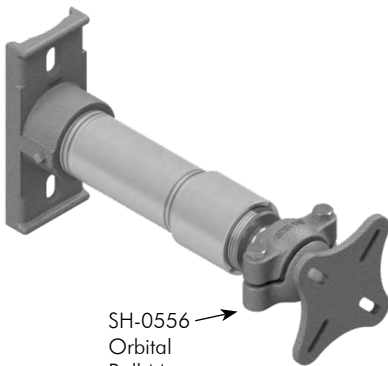
Coating

PNC=Process No Color
P__=Paint



2"-3.5" bolt circle

Bracket Assy, Orbital Mount w/ Universal Hub & 6" Nipple, Alum

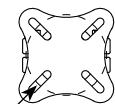


SH-0556
Orbital
Ball Mnt

SH-0566-06 -

Coating

PNC=Process No Color
P__=Paint



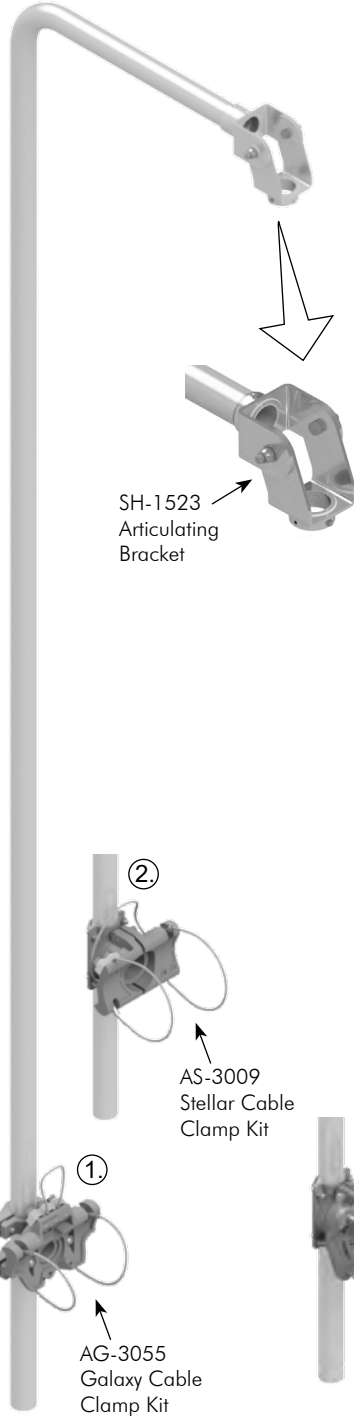
2"-3.5" bolt circle

Note: 1. All assemblies are supplied standard with stainless steel fasteners.
2. See Reference Section page v for available paint colors.



Astro-Brac Camera Bracket Dome Type

Designed to mount the dome type cameras, these articulating brackets are available with Pelco's Galaxy and Stellar series clamp kits with a 1-15/16" OD bent tube.



Camera Bracket, Dome Camera Type, Alum 1-1/2" NPS Sch 40 Alum Bent Tube

w/ Galaxy Stainless Cable Mount

① AG-0687	-	<input type="text"/>	-	<input type="text"/>	-	<input type="text"/>
		60=60" Tube 96=96" Tube 120=120" Tube		See Table		PNC=Process No Color P__=Paint

w/ Stellar Stainless Cable Mount

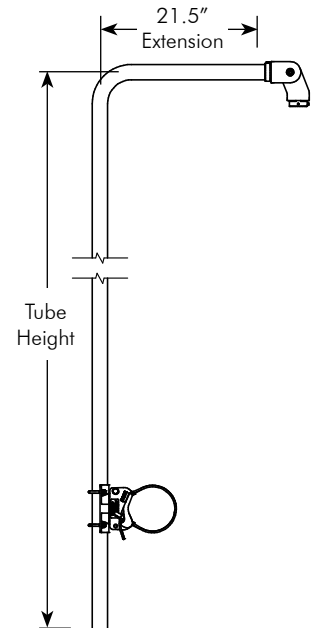
② AS-0687	-	<input type="text"/>	-	<input type="text"/>	-	<input type="text"/>
		60=60" Tube 96=96" Tube 120=120" Tube		See Table		PNC=Process No Color P__=Paint

Cable Length:	62"	84"	96"	120"	144"	220"	280"
Maximum Pole Dia:	7.0"	10.5"	12.4"	16.2"	20.1"	32.2"	35.0"
Pole Dia w/ Ty-back:	4.5"	7.6"	9.6"	13.4"	17.2"	29.3"	35.0"

w/ Stellar Tenon Mount

③ AS-0686	-	<input type="text"/>	-	<input type="text"/>
		60=60" Tube 96=96" Tube 120=120" Tube		PNC=Process No Color P__=Paint

Note:
Fits 1.9" to 4.5" diameter.



- Note: 1. All assemblies are supplied standard with stainless steel cable, clamp screw, and fasteners.
2. See T7-28-and T7-29 for camera mounting brackets.
3. See Reference Section page v for available paint colors.

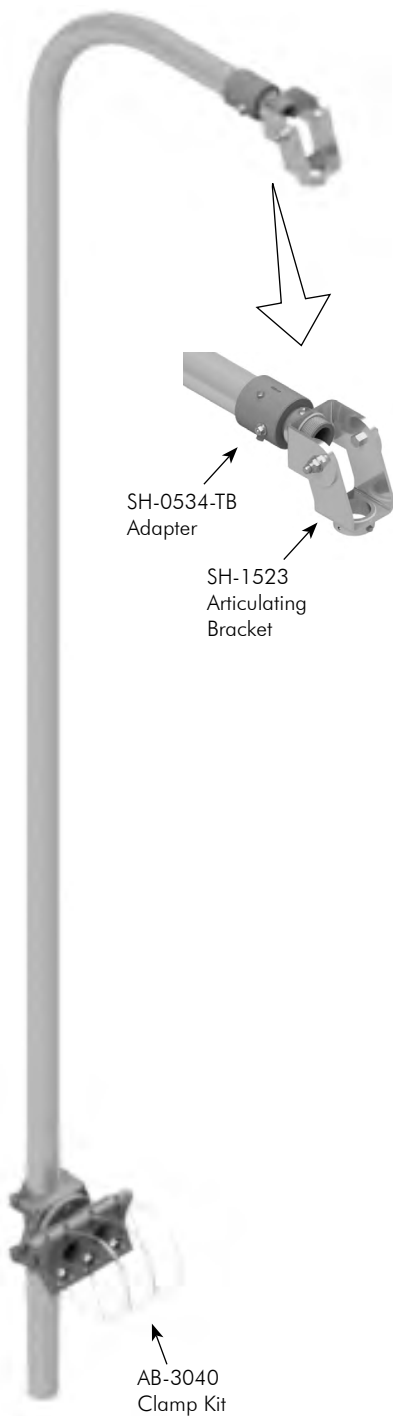


Astro-Brac Camera Bracket Dome Type

Designed to mount the dome type cameras, this articulating bracket is available with Pelco's more robust Triton series clamp kit with a 2-3/8" OD bent tube.

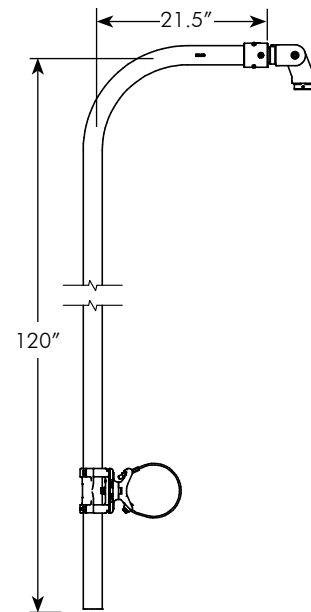


Triton Camera Bracket, Dome Camera Type, Alum 2" NPS x 120" Sch 40 Alum Bent Tube Stainless Cable Mount



AB-0680 - -
 Cable Length Coating
 See Table PNC=Process No Color
 P__=Paint

Cable Length:	45"	62"	84"
Maximum Pole Dia:	11.1"	16.6"	22.0"



- Note: 1. All assemblies are supplied standard with stainless steel cable, clamp screw, and fasteners.
 2. See T7-28-and T7-29 for camera mounting brackets.
 3. See Reference Section page v for available paint colors.



Astro-Brac Camera Bracket Movision Type

Designed to be watertight for mounting Movision cameras, these articulating brackets are available with Pelco's Galaxy and Stellar series clamp kits with a 1-15/16" OD bent tube.



CAMERA MOUNTS



Camera Bracket, Movision Camera, Watertight, Alum 1-1/2" NPS Sch 40 Alum Bent Tube

w/ Galaxy Stainless Cable Mount

① AG-0710	-	<input type="text"/>	-	<input type="text"/>	-	<input type="text"/>	-	<input type="text"/>
		Tube Height		Extension		Cable Length		Coating
		48=48" Tube		21.5=21.5" Tube		See Table		PNC=Process No Color
		60=60" Tube		48=48" Tube				P__=Paint
		96=96" Tube						
		120=120" Tube						

w/ Stellar Stainless Cable Mount

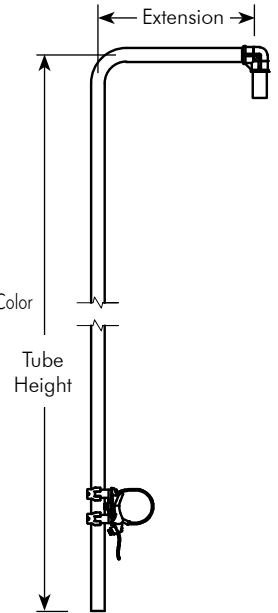
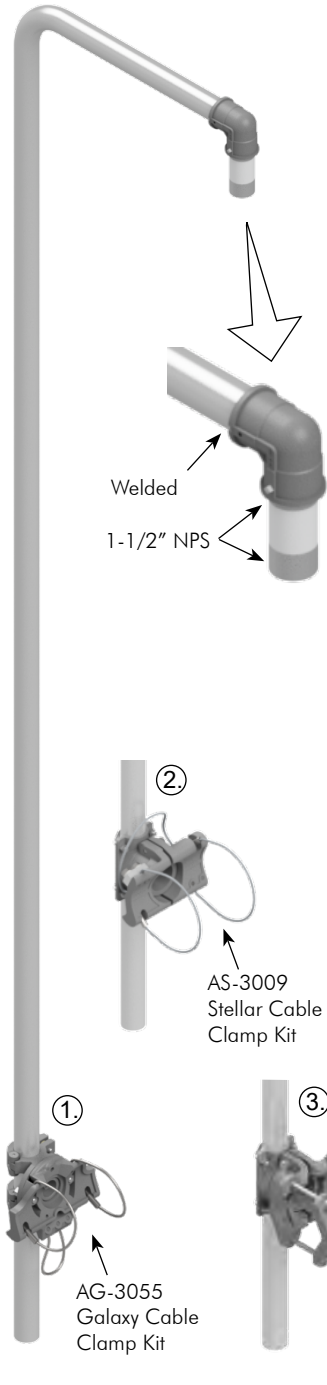
② AS-0710	-	<input type="text"/>	-	<input type="text"/>	-	<input type="text"/>	-	<input type="text"/>
		Tube Height		Extension		Cable Length		Coating
		48=48" Tube		21.5=21.5" Tube		See Table		PNC=Process No Color
		60=60" Tube		48=48" Tube				P__=Paint
		96=96" Tube						
		120=120" Tube						

Cable Length:	62"	84"	96"	120"	144"	220"	280"
Maximum Pole Dia:	7.0"	10.5"	12.4"	16.2"	20.1"	32.2"	35.0"
Pole Dia w/ Ty-back:	4.5"	7.6"	9.6"	13.4"	17.2"	29.3"	35.0"

w/ Stellar Tenon Mount

③ AS-0711	-	<input type="text"/>	-	<input type="text"/>	-	<input type="text"/>
		Tube Height		Tube Extension		Coating
		48=48" Tube		21.5=21.5" Tube		PNC=Process No Color
		60=60" Tube		48=48" Tube		P__=Paint
		96=96" Tube				
		120=120" Tube				

Note:
Fits 1.9" to 4.5" diameter.



Note: 1. All assemblies are supplied standard with stainless steel cable, clamp screw, and fasteners.
2. See T7-28-and T7-29 for camera mounting brackets.
3. See Reference Section page v for available paint colors.



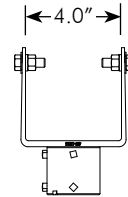
Camera Bracket

Pelco manufactures 1-piece and 2-piece brackets for various camera styles with mounting hole patterns shown below. If you have a special requirement that these brackets will not meet, contact Pelco to inquire about your specific need.



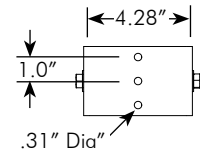
Camera Bracket, 1-Piece Tilt & Pan, Alum 1-1/2" NPS Internal Threads

SH-0514 - Coating
 PNC=Process No Color
 P_ =Paint



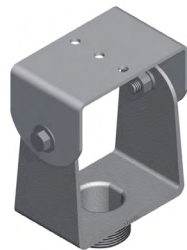
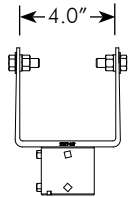
Camera Bracket, 2-Piece Tilt & Pan, Alum 1-1/2" NPS Internal Threads

SH-0515 - Coating
 PNC=Process No Color
 P_ =Paint



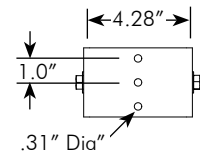
Camera Bracket, 1-Piece Tilt & Pan, Alum 1-1/2" NPS External Threads

SH-0535 - Coating
 PNC=Process No Color
 P_ =Paint



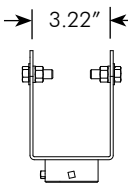
Camera Bracket, 2-Piece Tilt & Pan, Alum 1-1/2" NPS External Threads

SH-0541 - Coating
 PNC=Process No Color
 P_ =Paint



Camera Bracket, 1-Piece Tilt & Pan, Alum 1-1/2" NPS Internal Threads

SH-0537 - Coating
 PNC=Process No Color
 P_ =Paint



Note: 1. All assemblies are supplied standard with stainless steel fasteners.
 2. See Reference Section page v for available paint colors.



CAMERA MTGS

Camera Bracket

Pelco manufactures brackets for various camera styles. If you have a special requirement that these brackets will not meet, contact Pelco to inquire about your specific need.



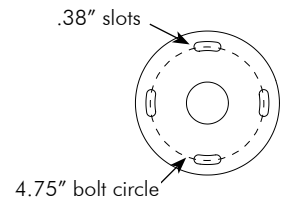
Camera Bracket, Offset Articulating, 1-1/2" NPS, Alum

SH-1523 - Coating
 PNC=Process No Color
 P__=Paint

Camera Bracket, Pole Top 1-1/2" NPS For COHU Camera, Alum



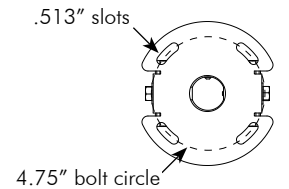
SH-1044 - Coating
 PNC=Process No Color
 P__=Paint



Camera Bracket, Pole Top 2-Piece, 1-1/2" NPS For COHU Camera, Alum



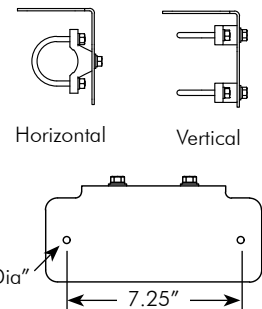
SH-0555 - Coating
 PNC=Process No Color
 P__=Paint



Camera Bracket, Alum For Horizontal or Vertical Tube



SH-0557 - - Tube Size Coating
 1.5=1-1/2 (1-7/8" OD) PNC=Process No Color
 2=2" (2-3/8" OD) P__=Paint



Note: 1. All assemblies are supplied standard with stainless steel fasteners.
 2. See Reference Section page v for available paint colors.



This page is intentionally left blank.

