

Aluminum Slip Fitter Assemblies, Cast Nipple

Pelco's Post Top Slip Fitters are available in aluminum, bronze, and iron, 1-1/2" NPS, Tri-Bolt or Tri-Stud. Post Top Terminal Compartments are also available in aluminum, bronze, and iron and are supplied with a 12-circuit terminal strip or block.



SE-3054
Signal Closure Kit



Post Top Assy, 1-Way Slip Fitter, Alum for 2-7/8" OD Pole Cast Nipple

SE-3279 -
Coating
PNC=Process No Color
P__=Paint



SE-3003
Signal Mounting Kit



Post Top Assy, 1-Way Offset Slip Fitter, Alum for 4-1/2" OD Pole Cast Nipple

SE-3310 -
Coating
PNC=Process No Color
P__=Paint



SE-3003
Signal Mounting Kit



Post Top Assy, 1-Way Slip Fitter, Alum for 4-1/2" OD Pole Cast Nipple

SE-3311 -
Coating
PNC=Process No Color
P__=Paint



SE-3003
Signal Mounting Kit



Post Top Assy, 1-Way w/ 2-Way Slip Fitter, Alum for 4-1/2" OD Pole Cast Nipple

SE-3037 -
Coating
PNC=Process No Color
P__=Paint



Note: 1. All assemblies supplied standard with stainless steel fasteners.
2. See Reference Section v for available paint colors.



Aluminum Slip Fitter Assemblies

Pelco's Post Top Slip Fitters are available in aluminum, bronze, and iron, 1-1/2" NPS, Tri-Bolt or Tri-Stud. Post Top Terminal Compartments are also available in aluminum, bronze, and iron and are supplied with a 12-circuit terminal strip or block. Designed to fit a 4-1/2" OD pole.

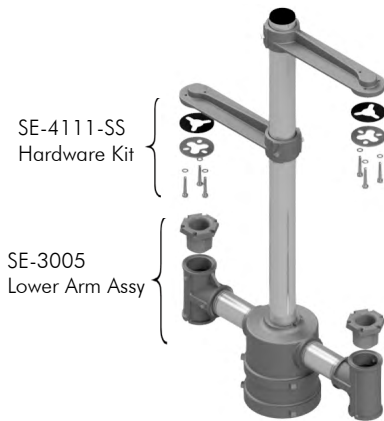


Post Top Assy, 1-Way, Alum for 4-1/2" OD Pole Tri-Bolt & Cast Nipple

SE-3012 - -

Signal Section Coating

1=1 Sec PNC=Process No Color
2=2 Sec P__=Paint
3=3 Sec
4=4 Sec
5=5 Sec

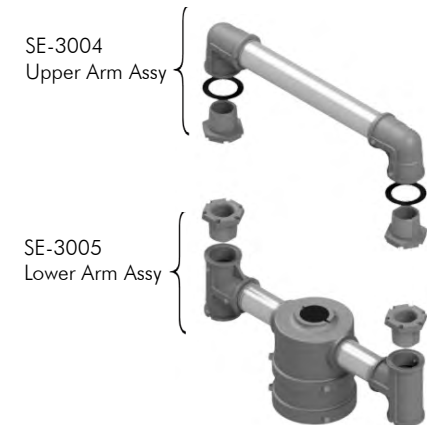
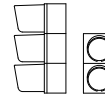


Post Top Assy, 2-Way Variable, Alum for 4-1/2" OD Pole Tri-Bolt & Cast Nipple

SE-3116 - -

Signal Section Coating

1=1 Sec PNC=Process No Color
2=2 Sec P__=Paint
3=3 Sec
4=4 Sec
5=5 Sec

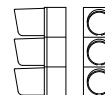


Slip Fitter Assy, 2-Way 16-1/2" CTC, Alum for 4-1/2" OD Pole Cast Nipple

SE-3089 -

Coating

PNC=Process No Color
P__=Paint



Note: 1. All assemblies are supplied standard with stainless steel slotted washer and fasteners.
2. See Reference Section v for available paint colors.

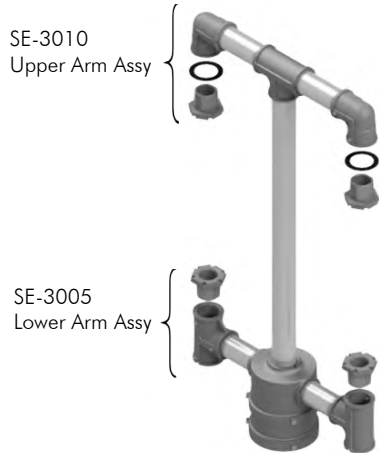


Aluminum Slip Fitter Assemblies, Cast Nipple

Pelco's Post Top Slip Fitters are available in aluminum, bronze, and iron, 1-1/2" NPS, Tri-Bolt or Tri-Stud. Post Top Terminal Compartments are also available in aluminum, bronze, and iron and are supplied with a 12-circuit terminal strip or block. Designed to fit a 4-1/2" OD pole.



RIGID POST TOP

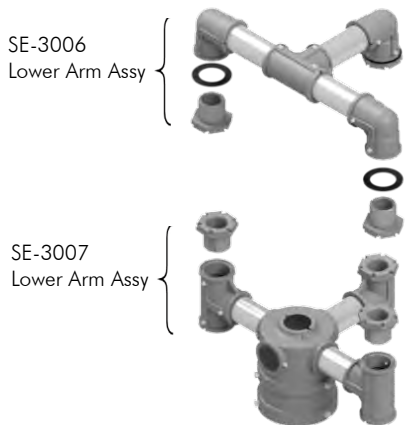
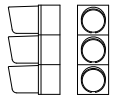


**Post Top Assy, 2-Way 16-1/2" CTC, Alum
for 4-1/2" OD Pole, Cast Nipple**

SE-3053 - -

Signal Section Coating

1=1 Sec PNC=Process No Color
2=2 Sec P__=Paint
3=3 Sec
4=4 Sec
5=5 Sec

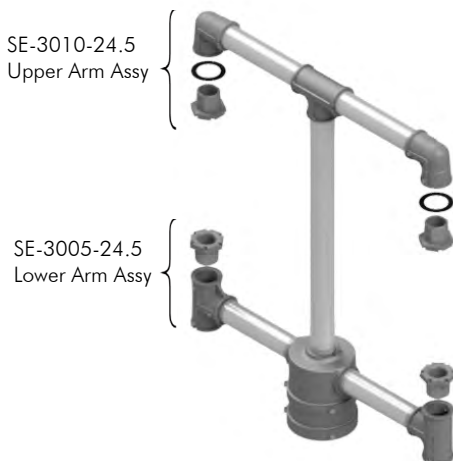
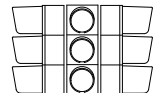


**Post Top Assy, 3-Way 16-1/2" CTC, Alum
for 4-1/2" OD Pole, Cast Nipple**

SE-3090 -

Coating

PNC=Process No Color
P__=Paint



**Post Top Assy, 2-Way ICC Ped 24-1/2" CTC, Alum
for 4-1/2" OD Pole, Cast Nipple**

SE-3257 -

Coating

PNC=Process No Color
P__=Paint



Note: 1. All assemblies are supplied standard with stainless steel slotted washer and fasteners.
2. See Reference Section v for available paint colors.



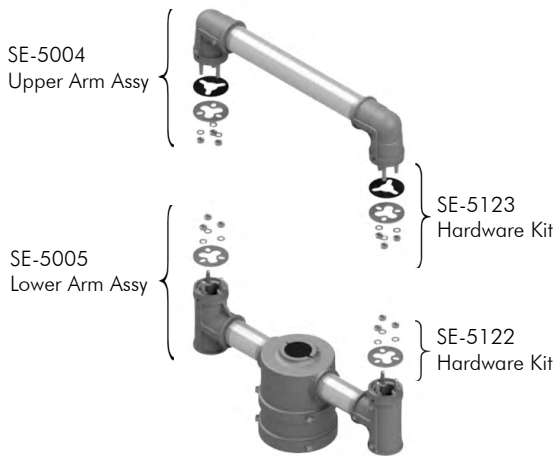
Aluminum Slip Fitter Assemblies, Tri-Stud

Pelco's Post Top Slip Fitters are available in aluminum, bronze, and iron, 1-1/2" NPS, Tri-Bolt or Tri-Stud. Post Top Terminal Compartments are also available in aluminum, bronze, and iron and are supplied with a 12-circuit terminal strip or block. Designed to fit a 4-1/2" OD pole.



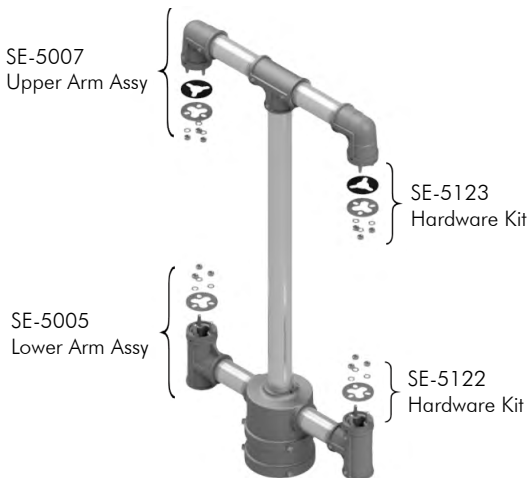
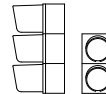
Post Top Assy, 1-Way, Alum for 4-1/2" OD Pole Tri-Stud

SE-5016 - Coating
PNC=Process No Color
P__=Paint



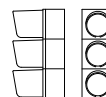
Post Top Assy, 2-Way 16-1/2" CTC, Alum for 4-1/2" OD Pole Tri-Stud

SE-5006 - Coating
PNC=Process No Color
P__=Paint



Post Top Assy, 2-Way 16-1/2" CTC, Alum for 4-1/2" OD Pole Tri-Stud

SE-5008 - - Coating
Signal Section
1=1 Sec
2=2 Sec
3=3 Sec
4=4 Sec
5=5 Sec
PNC=Process No Color
P__=Paint



Note: 1. All assemblies are supplied standard with stainless steel slotted washer and fasteners.
2. See Reference Section v for available paint colors.



RIGID POST TOP



Iron Slip Fitter Assemblies, Cast Nipple

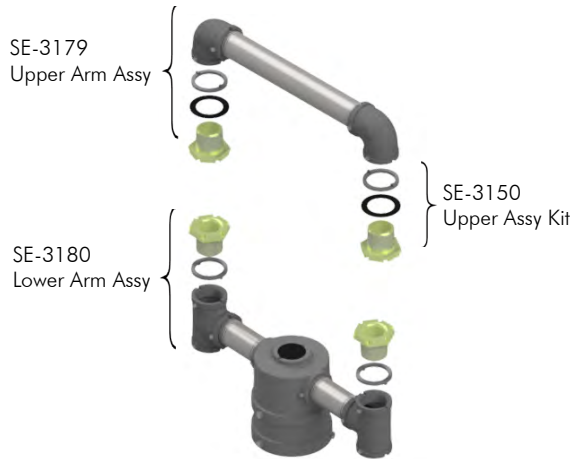
Pelco's Post Top Slip Fitters are available in aluminum, bronze, and iron, 1-1/2" NPS, Tri-Bolt or Tri-Stud. Post Top Terminal Compartments are also available in aluminum, bronze, and iron and are supplied with a 12-circuit terminal strip or block. Designed to fit a 4-1/2" OD pole.



SE-3174
Signal Mounting Kit

Post Top Assy, 1-Way w/ 2-Way Slip Fitter, Iron for 4-1/2" OD Pole Cast Nipple

SE-3177 - Coating
P__=Paint



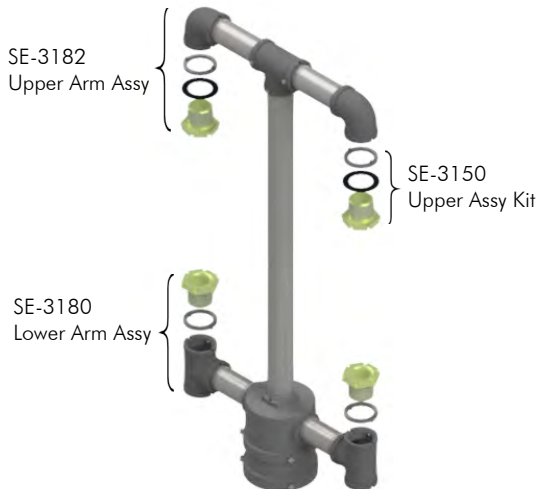
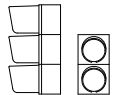
SE-3179
Upper Arm Assy

SE-3180
Lower Arm Assy

SE-3150
Upper Assy Kit

Post Top Assy, 2-Way 16-1/2" CTC, Iron for 4-1/2" OD Pole Cast Nipple

SE-3181 - Coating
P__=Paint



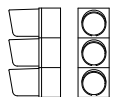
SE-3182
Upper Arm Assy

SE-3180
Lower Arm Assy

SE-3150
Upper Assy Kit

Post Top Assy, 2-Way 16-1/2" CTC, Iron for 4-1/2" OD Pole Cast Nipple

SE-3183 - Signal Section - Coating
1=1 Sec
2=2 Sec
3=3 Sec
4=4 Sec
5=5 Sec
P__=Paint



Note: 1. All assemblies are supplied standard with stainless steel fasteners.
2. See Reference Section v for available paint colors.



This page is intentionally left blank.

RIGID POST TOP



Slip Fitters, Alum

Pelco's aluminum Post Top Slip Fitters are available in a one-way, offset one-way, or a two, three, or four-way configuration. Designed to fit a 4-1/2" OD Pole.



Slip Fitter, 1-Way for 4-1/2" OD Pole, Alum

SE-3106 - Coating
PNC=Process No Color
P__=Paint



Slip Fitter, 1-Way Offset for 4-1/2" OD Pole, Alum

SE-3107 - Coating
PNC=Process No Color
P__=Paint



Slip Fitter, 1 & 2-Way for 4-1/2" OD Pole, Alum

SE-3002 - Coating
PNC=Process No Color
P__=Paint



Slip Fitter, 3 & 4-Way for 4-1/2" OD Pole, Alum

SE-3029 - Coating
PNC=Process No Color
P__=Paint

Note: 1. All assemblies are supplied standard with stainless steel fasteners.
2. See Reference Section v for available paint colors.



Slip Fitters, Iron

Pelco's iron Post Top Slip Fitters are available in a one, two, three, or four-way configuration. Designed to fit a 4-1/2" OD pole.



**Slip Fitter, 1-Way for 4-1/2" OD Pole, Iron
Serrated Top Port**

SE-4431 - Coating
PNC=Process No Color
P__=Paint



Slip Fitter, 1 & 2-Way for 4-1/2" OD Pole, Iron

SE-3175 - Coating
P__=Paint



Slip Fitter, 3 & 4-Way for 4-1/2" OD Pole, Iron

SE-3176 - Coating
P__=Paint

Note: 1. All assemblies are supplied standard with stainless steel fasteners.
2. See Reference Section v for available paint colors.



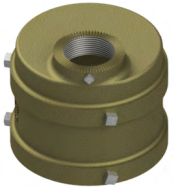
Slip Fitters, Bronze

Bronze Post Top Slip Fitters are available in a one-way, offset one-way, or a two-way configuration. Pelco's bronze slip fitters are cast with top port serrations which eliminates the need for a lockring. Designed to fit a 4-1/2" OD pole



Slip Fitter, 1-Way for 4-1/2" OD Pole, Bronze Serrated Top Port

SE-4424 - Coating
 PNC=Process No Color
 P__=Paint



Slip Fitter, 1-Way Offset for 4-1/2" OD Pole, Bronze Serrated Top Port

SE-4425 - Coating
 PNC=Process No Color
 P__=Paint



Slip Fitter, 1 & 2-Way for 4-1/2" OD Pole, Bronze Serrated Top Port

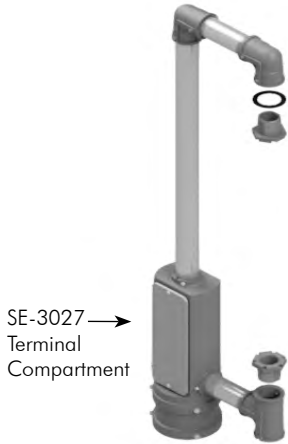
SE-4423 - Coating
 PNC=Process No Color
 P__=Paint

Note: 1. All assemblies are supplied standard with stainless steel fasteners.
 2. See Reference Section v for available paint colors.



Aluminum Terminal Compartment Assemblies

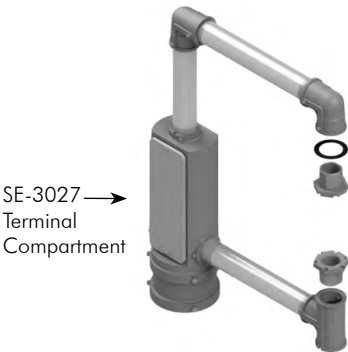
Pelco's Post Top Slip Fitters are available in aluminum, bronze, and iron, 1-1/2" NPS, Tri-Bolt or Tri-Stud. Post Top Terminal Compartments are available in aluminum or bronze and are supplied with a 12-circuit terminal strip or block. Designed to fit a 4-1/2" OD pole.



Terminal Compartment Assy, 1-Way, Alum for 4-1/2" OD Pole Cast Nipple

SE-3270 - -

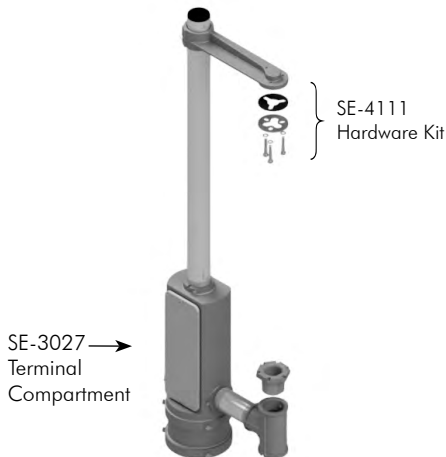
Signal Section	Coating
1=1 Sec	PNC=Process No Color
2=2 Sec	P__=Paint
3=3 Sec	
4=4 Sec	
5=5 Sec	



Terminal Compartment Assy, 1-Way ICC Ped, Alum for 4-1/2" OD Pole Cast Nipple

SE-3271 -

Coating
PNC=Process No Color
P__=Paint



Terminal Compartment Assy, 1-Way, Alum for 4-1/2" OD Pole Tri-Bolt & Cast Nipple

SE-3013 - -

Signal Section	Coating
1=1 Sec	PNC=Process No Color
2=2 Sec	P__=Paint
3=3 Sec	
4=4 Sec	
5=5 Sec	



Note: 1. All assemblies are supplied standard with stainless steel slotted washer and fasteners.
 2. Terminal Compartments supplied standard with plastic door, aluminum door available.
 3. See Reference Section v for available paint colors.

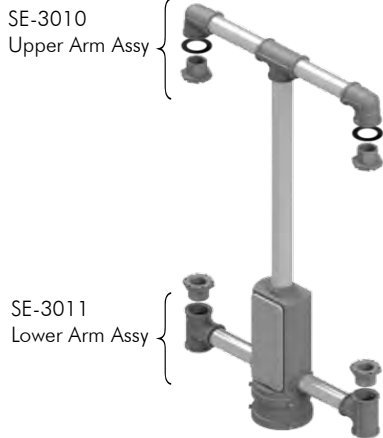


RIGID POST TOP



Aluminum Terminal Compartment Assemblies

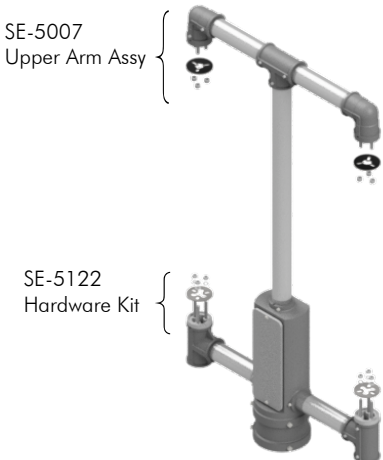
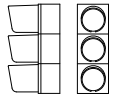
Pelco's Post Top Slip Fitters are available in aluminum, bronze, and iron, 1-1/2" NPS, Tri-Bolt or Tri-Stud. Post Top Terminal Compartments are available in aluminum or bronze and are supplied with a 12-circuit terminal strip or block. Designed to fit a 4-1/2" OD pole.



Terminal Compartment Assy, 2-Way, Alum 21" CTC for 4-1/2" OD Pole Cast Nipple

SE-3048 - -

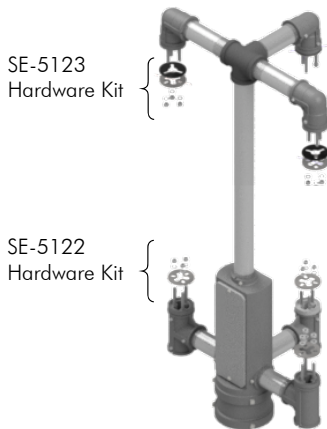
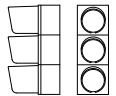
Signal Section	Coating
1=1 Sec	PNC=Process No Color
2=2 Sec	P__=Paint
3=3 Sec	
4=4 Sec	
5=5 Sec	



Terminal Compartment Assy, 2-Way, Alum 21" CTC for 4-1/2" OD Pole Tri-Stud

SE-5187 - -

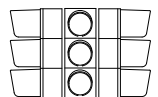
Signal Section	Coating
1=1 Sec	PNC=Process No Color
2=2 Sec	P__=Paint
3=3 Sec	
4=4 Sec	
5=5 Sec	



Terminal Compartment Assy, 3-Way, Alum 16-1/2" CTC for 4-1/2" OD Pole Tri-Stud

SE-5231 - -

Signal Section	Coating
3=3 Sec	PNC=Process No Color
4=4 Sec	P__=Paint



- Note: 1. All assemblies are supplied standard with stainless steel slotted washer and fasteners.
 2. Terminal Compartments supplied standard with plastic door, aluminum door available.
 3. See Reference Section v for available paint colors.



Terminal Compartments Aluminum

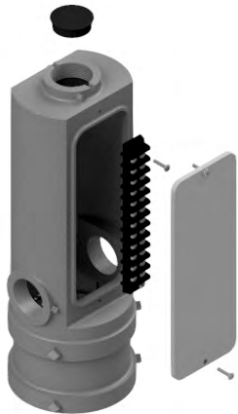
Pelco's aluminum Post Top Terminal Compartments are available in a 2-way or 3-way configuration. Each are supplied standard with a 12-circuit terminal strip and an ABS plastic door. Designed to fit a 4-1/2" OD pole.



Terminal Compartment Assy, Vertical, Alum 2-Way Post Top for 4-1/2" OD Pole

SE-3027 - Coating
 PNC=Process No Color
 P__=Paint

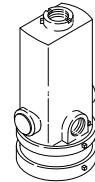
Note:
 Plastic door standard, aluminum door available.



Terminal Compartment Assy, Vertical, Alum 3-Way Post Top for 4-1/2" OD Pole

SE-3074 - Coating
 PNC=Process No Color
 P__=Paint

Note:
 Plastic door standard, aluminum door available.



Rear Port



Note: 1. All assemblies are supplied standard with stainless steel fasteners.
 2. Terminal Compartments supplied standard with plastic door, aluminum door available.
 3. See Reference Section v for available paint colors.



Terminal Compartments Aluminum

Pelco's 2-way Horizontal Terminal Compartments are cast aluminum supplied with ABS plastic doors. Each can be configured with either a top port or a rear port and are supplied with one or two 12-circuit terminal strips. Designed to fit a 4-1/2" OD pole.



Terminal Compartment Assy, Horizontal, Alum 2-Way Post Top for 4-1/2" OD Pole

	Port Mountings		Terminal Strip		Coating	
SE-3143	-	<input type="checkbox"/>	-	<input type="checkbox"/>	-	<input type="checkbox"/>
	TP=Top Port RP=Rear Port		1T=Terminal Strip (1) 2T=Terminal Strips (2)		PNC=Process No Color P__=Paint	

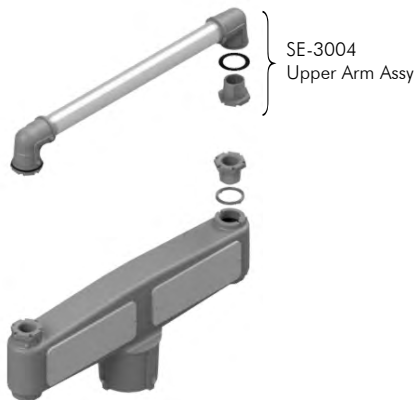
Note:
Plastic door standard, aluminum door available.



Terminal Compartment Assy, Horizontal, Alum 2-Way Post Top for 4-1/2" OD Pole Cast Nipples

	Port Mountings		Terminal Strip		Coating	
SE-3135	-	<input type="checkbox"/>	-	<input type="checkbox"/>	-	<input type="checkbox"/>
	TP=Top Port RP=Rear Port		1T=Terminal Strip (1) 2T=Terminal Strips (2)		PNC=Process No Color P__=Paint	

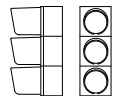
Note:
Plastic door standard, aluminum door available.



Terminal Compartment Assy, 2-Way, Alum 24" CTC for 4-1/2" OD Pole Cast Nipple

	Coating	
SE-3141	-	<input type="checkbox"/>
	PNC=Process No Color P__=Paint	

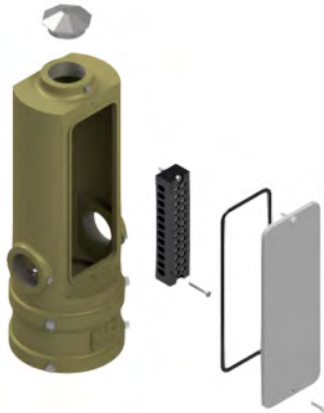
Note:
Plastic door standard, aluminum door available.



- Note: 1. All assemblies are supplied standard with stainless steel fasteners.
2. Terminal Compartments supplied standard with plastic door, aluminum door available.
3. See Reference Section v for available paint colors.

Terminal Compartments Bronze & Iron

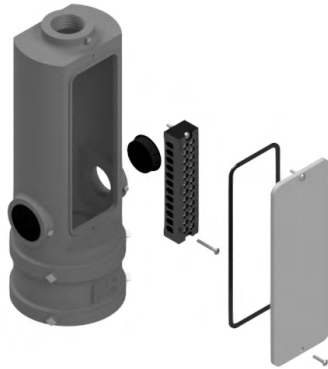
Pelco's bronze and iron Post Top Terminal Compartments are available in a 2-way configuration. Each are supplied standard with a 12-circuit terminal block and an ABS plastic door. Designed to fit a 4-1/2" OD pole.



Terminal Compartment Assy, Vertical 2-Way Post Top for 4-1/2" OD Pole, Bronze

SE-4422 - Coating
 PNC=Process No Color
 P__=Paint

Note:
 Plastic door standard, aluminum door available.



Terminal Compartment Assy, Vertical 2-Way Post Top for 4-1/2" OD Pole, Iron

SE-3331 - Coating
 GLV=Galvanized
 P__=Paint

Note:
 Plastic door standard, aluminum door available.

- Note: 1. All assemblies are supplied standard with stainless steel fasteners.
 2. Terminal Compartments supplied standard with plastic door, aluminum door available.
 3. See Reference Section v for available paint colors.

