

# Rectangular Rapid Flashing Beacons (RRFB)

## FLASHING SIGN SYSTEM



### RECTANGULAR RAPID FLASHING BEACONS (RRFB)

TraffiCalm® is working with our customers to reduce the number of crashes at mid-block crossings. By using unprecedented LED Flashing Signs and RRFBs, agencies across the world are seeing justifiable gains in pedestrian safety. In fact, the United States Federal Highway Administration (FHWA) has designated RRFBs as a proven safety countermeasure, and state pedestrian crashes are reduced by up to 47% and yielding rates for motorists increased by up to 98% when RRFBs are utilized.

## FEATURES

### Highly Visible

TraffiCalm® RRFBs utilize 80 LEDs per light bar, 40 LEDs per side, far more than any competitive system, providing the brightest most visible beacons on the market. This can be critical with the sun behind or in front of the motorist or in foggy conditions. Auto dimming reduces the brightness at night.

### Ruggedized Electronics

All electronics, radios, and LEDs are fully epoxy-potted and environmentally sealed. The entire pole with the RRFBs, controller or collaborator, solar panels and batteries can be fully submerged and still operate. Please scan this QR code to watch our short, entertaining video on how hard we have tested our RRFBs.



### 100% MUTCD Compliant

The FHWA has granted interim approval of RRFBs and they are expected to be fully approved with the release of the new version of the Manual on Uniform Traffic Control Devices (MUTCD). RRFBs have a special rapid flash pattern that is dictated by the interim approval and TraffiCalm® RRFBs have been third-party tested to prove conformance.

### Made in the USA

TraffiCalm® Flashing Sign Systems are manufactured in the USA in an ISO 9001:2015 certified facility, meeting and exceeding industry and state testing requirements. TraffiCalm® signs are unmatched in durability, brightness, accuracy, ease of installation, and use. Build America/Buy America Compliant.

TRAFFICCALM.COM



## SPECIFICATIONS

### COMPATIBILITY

RRFBs are compatible with all TrafficCalm<sup>®</sup> Intelligent Controllers and Collaborators

TrafficCalm<sup>®</sup> Push-2-Cross Systems and RRFBs are pedestrian or sensor activated and are compatible with all major manufactures' piezo push buttons and APS Audible/Talking mid block push buttons. Touchless push button options are also available

### ILLUMINATION

MUTCD and FHWA Compliant

80 Amber LEDs for Redundancy and Uniform Light Distribution

Side-mounted LEDs for pedestrian visual confirmation

Exceeds SAE J595 Class 1 Intensity

Auto Dimming

Meets SAE J578 for chromaticity

Crosswalk Illuminators are available as an option on all Push-2-Cross Systems

LED rated lifetime of 100,000 hours

### ENVIRONMENTAL

NEMA 4X Enclosure

Potted electronics (hermetically sealed)

-40° F to +140° F operating range [-40° C to +60° C]

## DETAILS

### RRFB PHYSICAL CONSTRUCTION

Each of the 80 LEDs have built-in 15 degree UV resistant lens

Mounting brackets accommodate back-to-back mounting

Horizontal aiming adjustment

Dimensions: 24"W x 4.18"H x .85"D [60.96cm x 10.63cm x 2.16cm]

Potted and Environmentally Sealed Electronics (NEMA 4X rated)

Rugged powder-coated aluminum face plate available in black or yellow

High-Density Poly Ethylene casing for potted electronics

All Wiring is UL 2464 rated

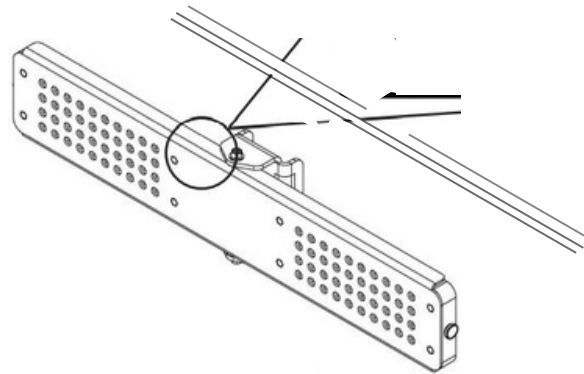
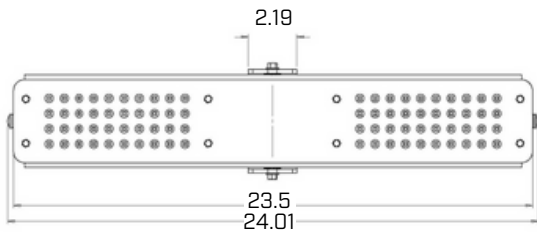
### WARRANTY and SERVICE

5 year limited warranty

Unlimited technical support from US based factory technicians

## DIMENSIONS

shown in inches



Part Number	Color and Type of Housing	Color of LED	Length of cable from RRFB to controller
M75-SA328-0000	Black Aluminum Housing	Amber	15 ft/4.57 m
M75-SA328-0004	Yellow Aluminum Housing	Amber	15 ft/4.57 m
M75-SA328-7500	Black Aluminum Housing	Amber	75 ft/22.86 m
M75-SA328-R000	Black Aluminum Housing	Red*	15 ft/4.57 m

\*For Wrong Way Systems